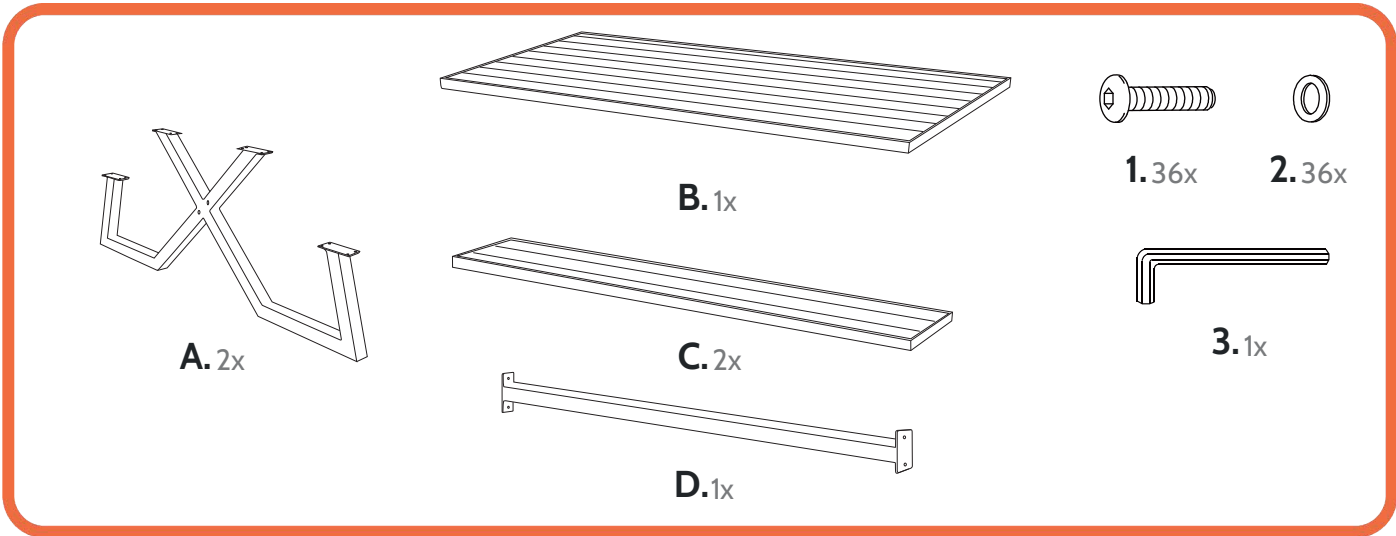


Aluminium picnic table luxurious 200cm

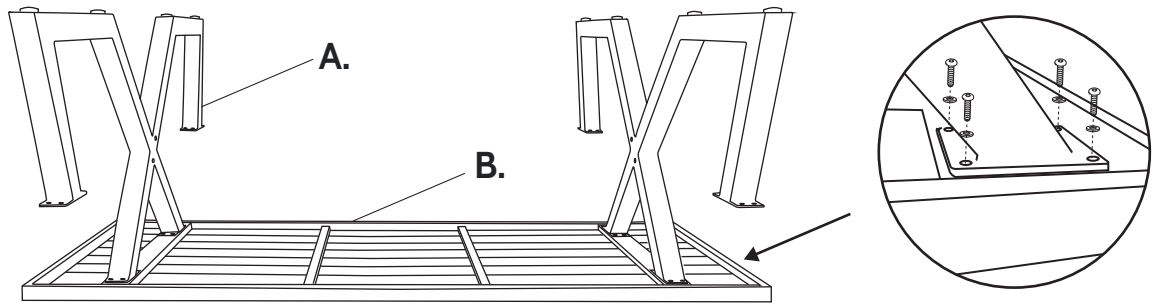
OP-1254-V4EN



Tip!

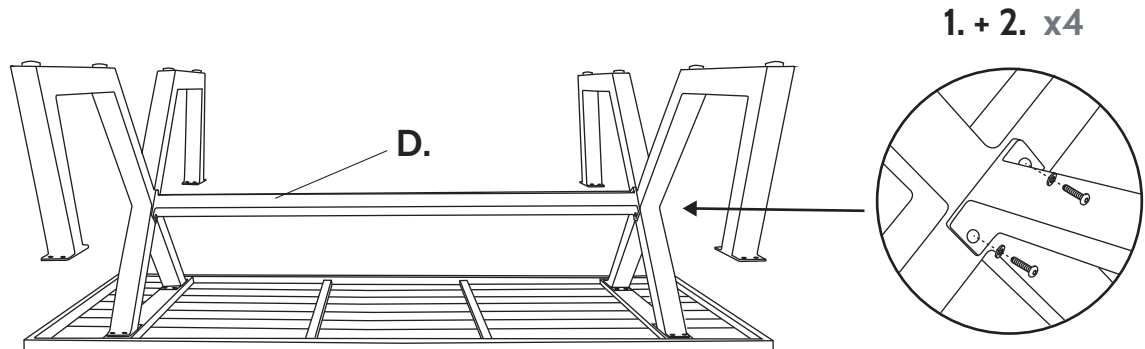
Be sure to carefully unpack the parts and place them on a soft surface, such as a blanket. Then check all parts for damage before you begin assembly. Assembled products cannot be returned.

1 Use the packaging to protect the tabletop. This will prevent scratches on the table top.



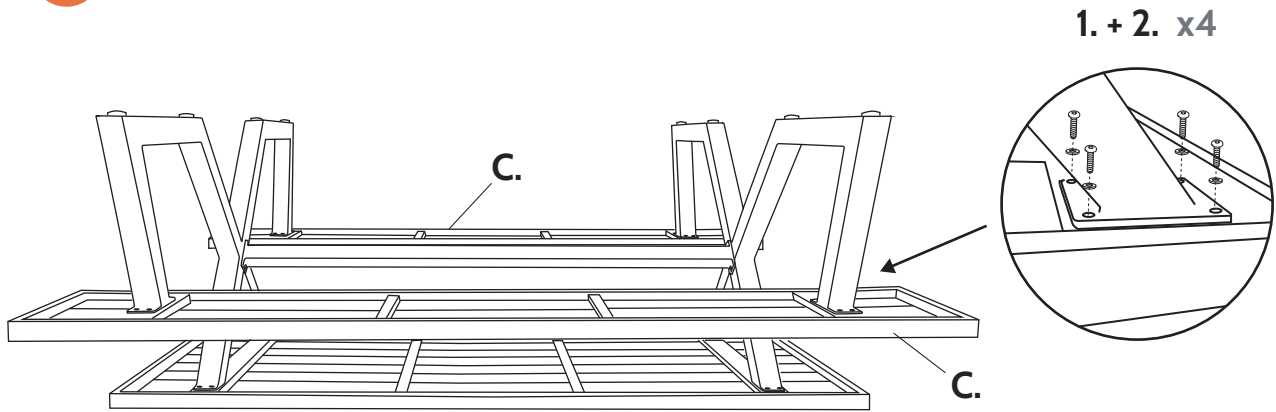
Lightly tighten screws

2



1. + 2. x4

3



4

Tighten all screws after installation.

