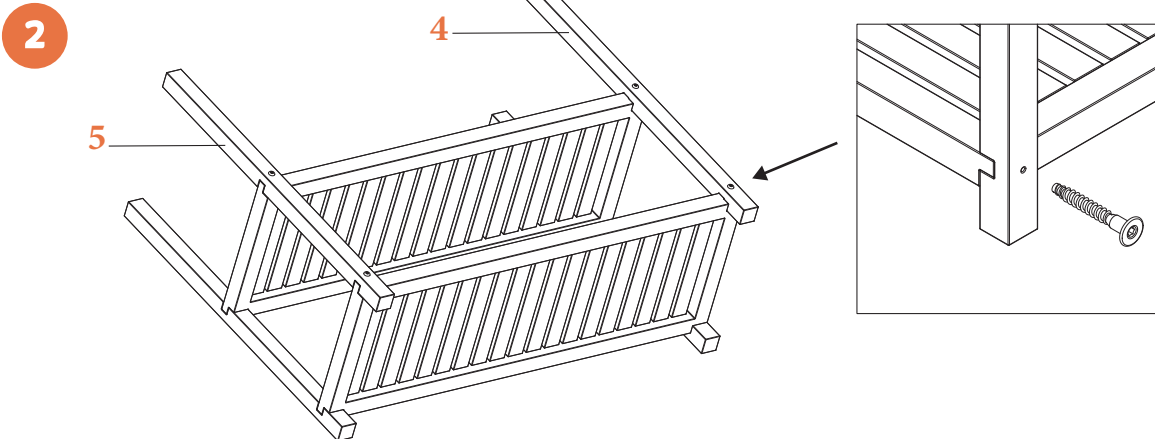
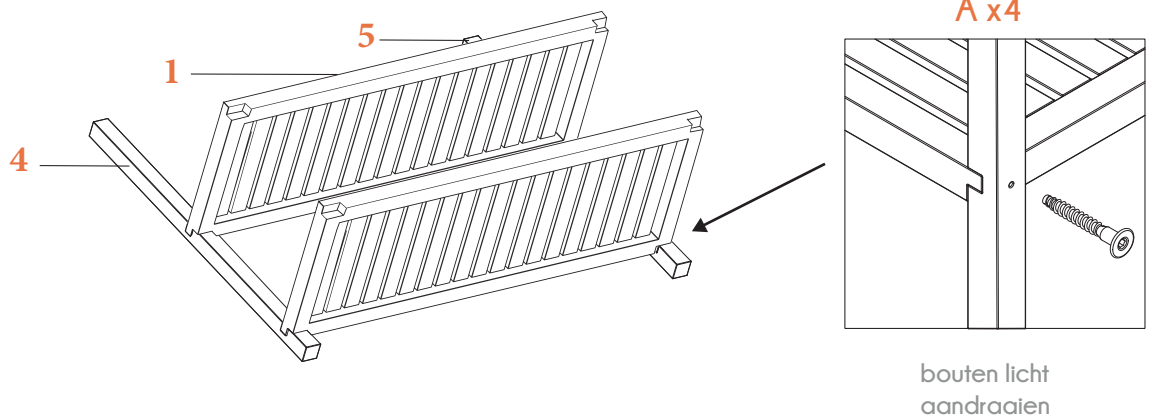


**1** Zorg voor een vlakke ondergrond.



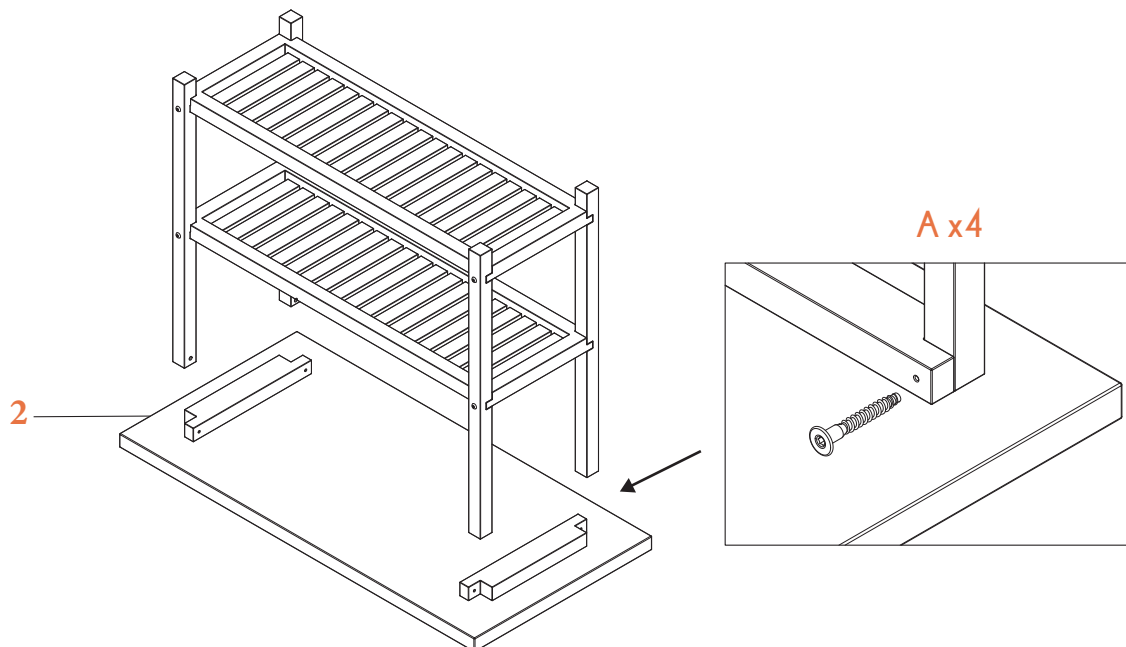
Care instructions

- Tighten the screws at the end of the construction and check them regularly afterwards
- Do not use power screw drivers as they might cause splitting
- Only use special cleanser or impregnate oil to clean wooden products and water and soap for aluminium and steel products
- Use soft brushes when cleaning to avoid scretching the surface
- Protect your furniture/products with a cover when you are not using it

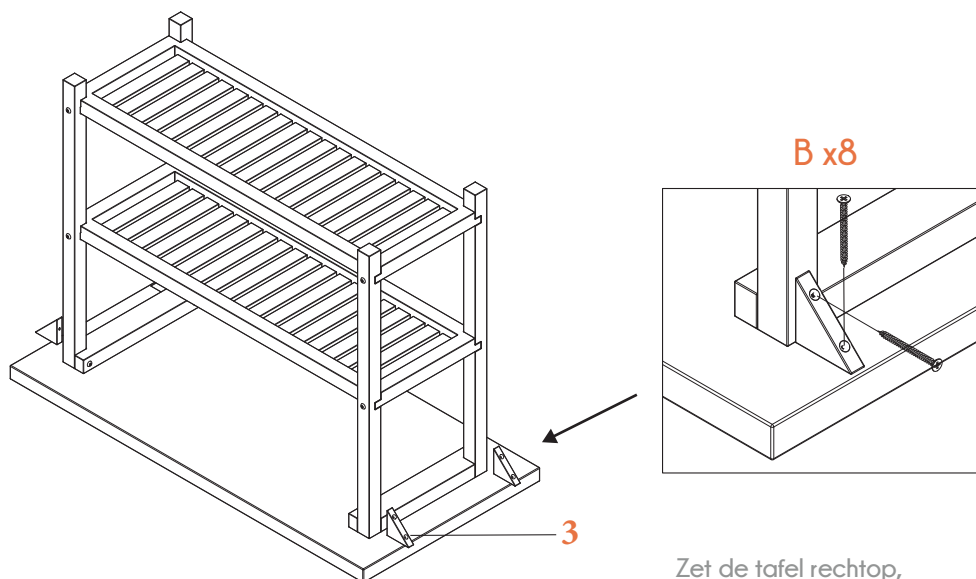
maximavida.com  
Den Sliem 42  
7141 JH Groenlo  
+31 544-375445  
info@maximavida.com

3

Bescherm het blad tegen krassen. Gebruik bv de verpakking als ondergrond



4



Zet de tafel rechtop,  
na plaatsing alle bouten  
vast aandraaien.

#### Care instructions

- Tighten the screws at the end of the construction and check them regularly afterwards
- Do not use power screw drivers as they might cause splitting
- Only use special cleanser or impregnate oil to clean wooden products and water and soap for aluminium and steel products
- Use soft brushes when cleaning to avoid scratching the surface
- Protect your furniture/products with a cover when you are not using it

maximavida.com  
Den Sliem 42  
7141 JH Groenlo  
+31 544-375445  
info@maximavida.com