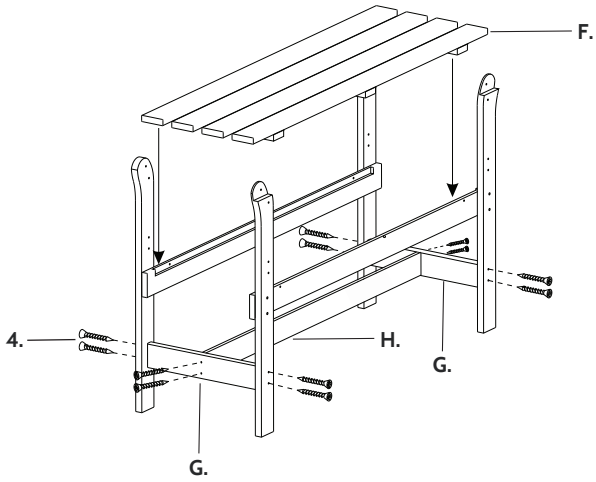
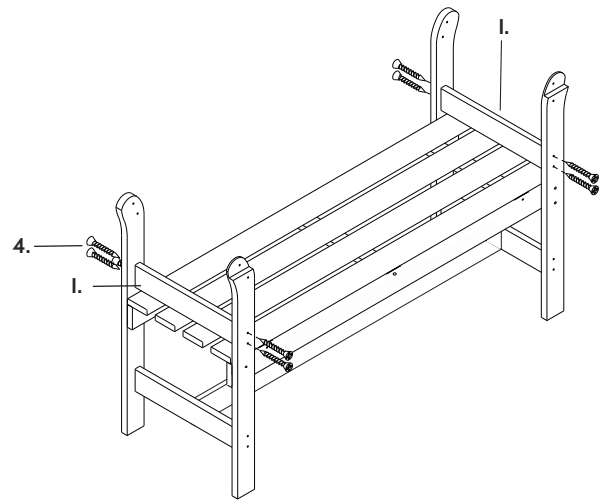


Tuinbank Amelie - 120 cm

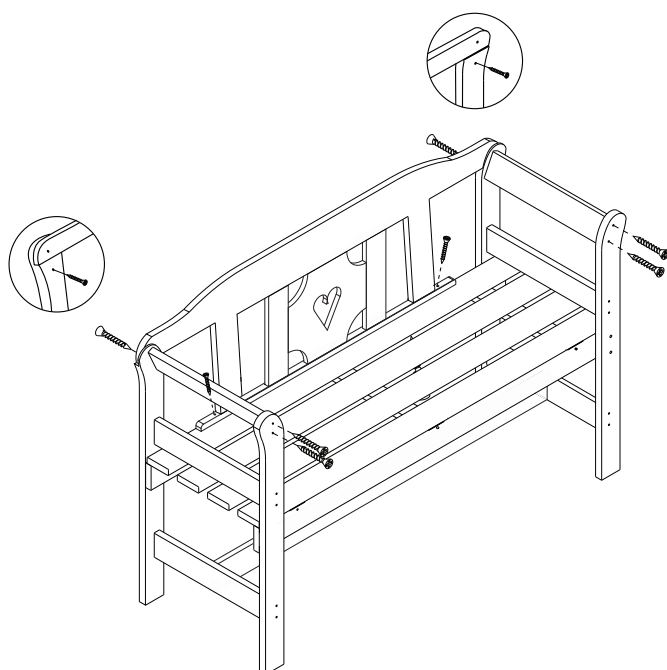
2 Zitting (F.) niet vastschroeven, zie stap 6.



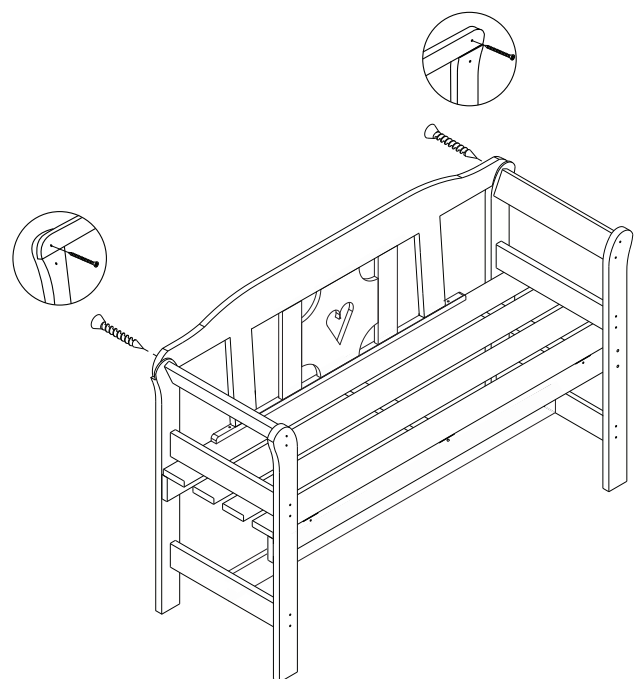
3



4

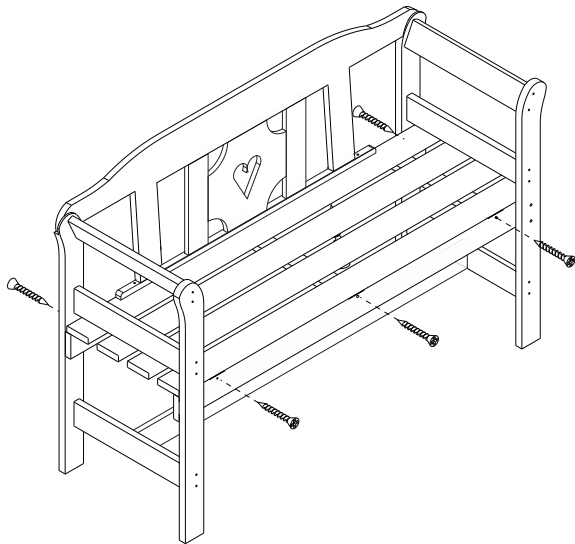


5

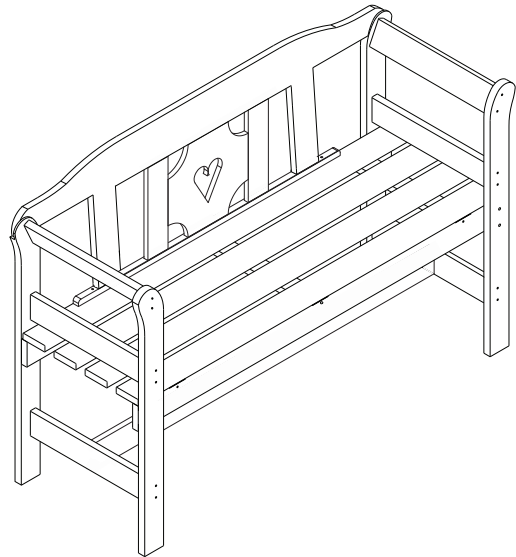


Tuinbank Amelie - 120 cm

6



7



Care instructions

- Tighten the screws at the end of the construction and check them regularly afterwards.
- Do not use power screw drivers as they might cause splitting.
- Only use special cleanser or impregnate oil to clean wooden products and water and soap for aluminium and steel products.
- Use soft brushes when cleaning to avoid scretching the surface.
- Protect your furniture/products with a cover when you are not using it.