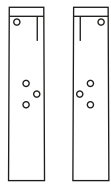


Garden chair Montreal

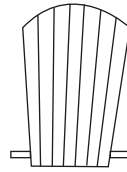
OP-2053-VZEN



A. 2x



B. 2x



C. 1x



D. 1x



E. 2x



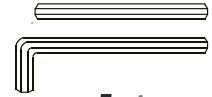
1. 12x



2. 4x



4. 12x



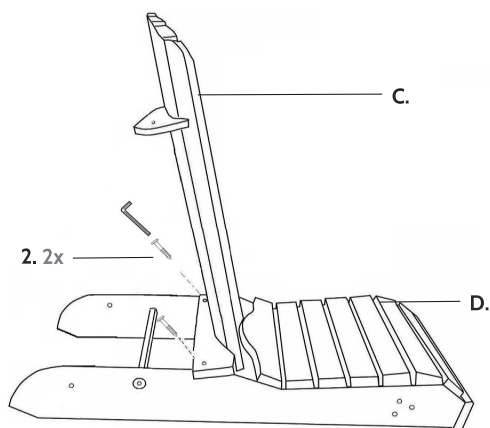
5. 1x

Be sure to carefully unpack the parts and place them on a soft surface, such as a blanket. Then check all parts for damage before you begin assembly. Assembled products cannot be returned.

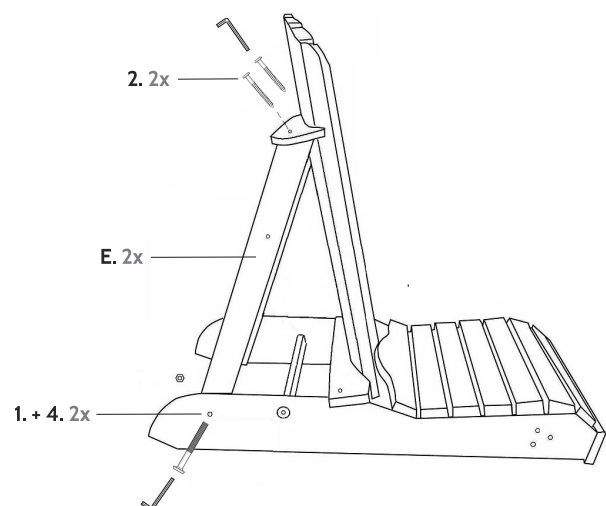
Tip!

When you start assembling, it is wise to not fully tighten the nuts and bolts, but loosely, so there is still some slack. Once all the parts are assembled, you can tighten them.

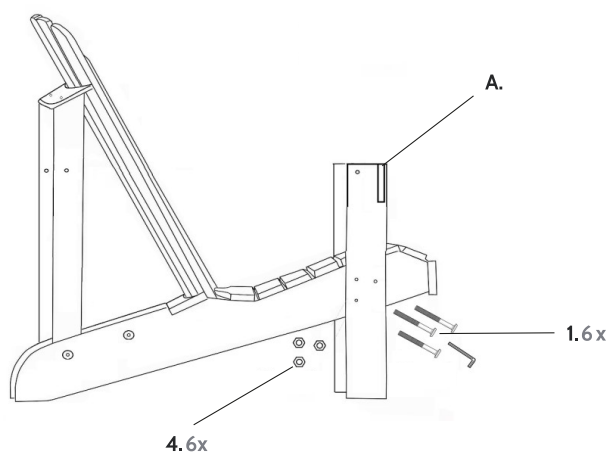
1



2



3



4

