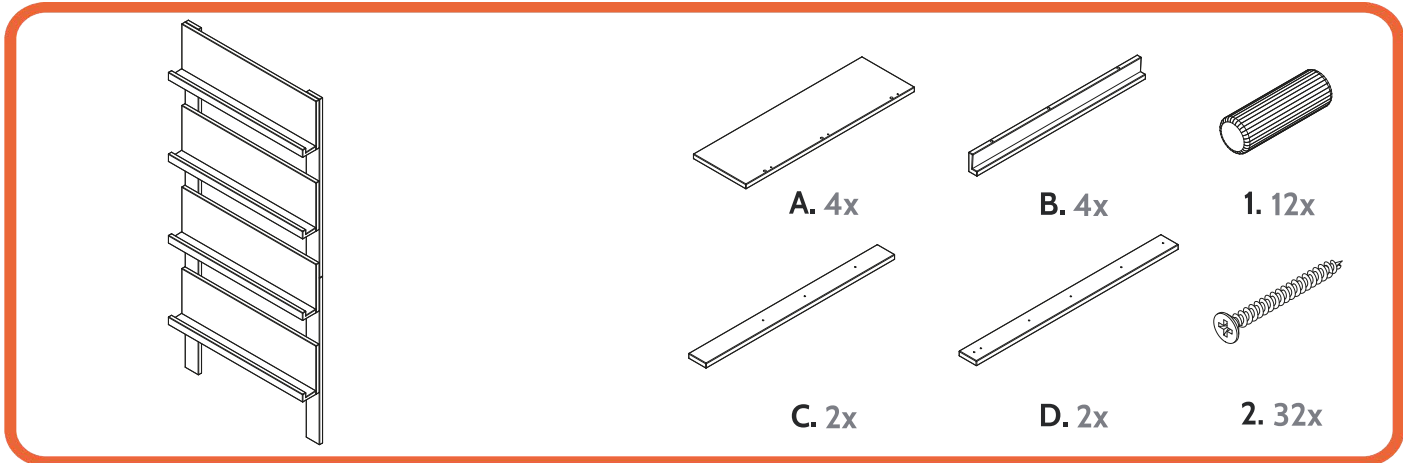


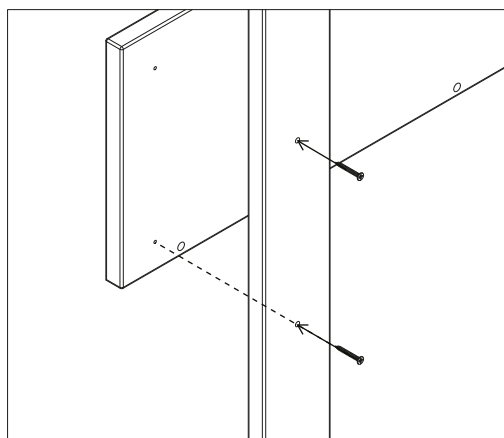
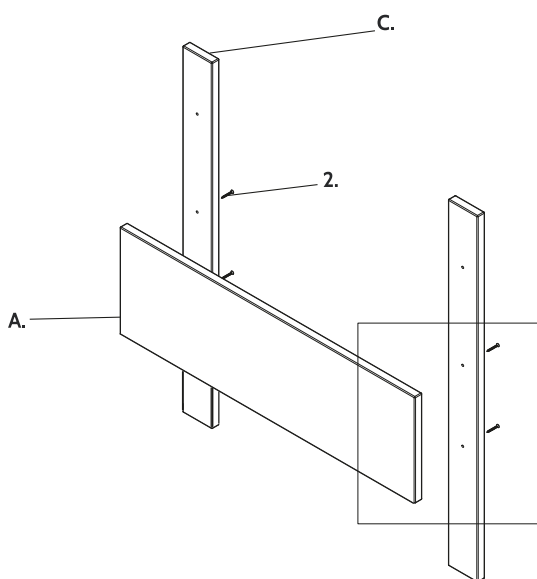
Wall rack Jamie - 180 x 80 cm

OP-8948-VIEN



Be sure to carefully unpack the parts and place them on a soft surface, such as a blanket. Then check all parts for damage before you begin assembly. Assembled products cannot be returned.

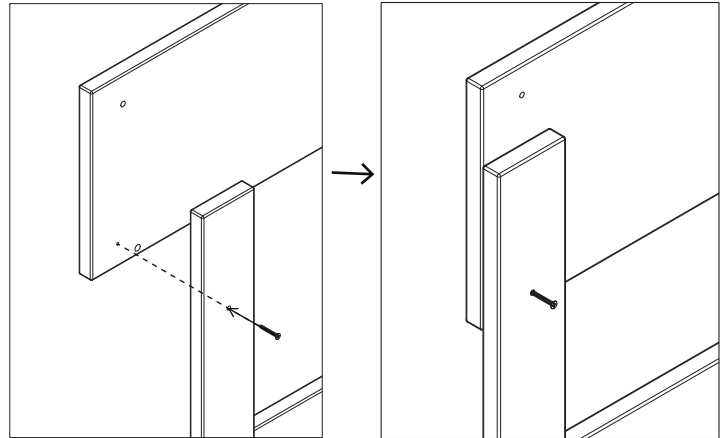
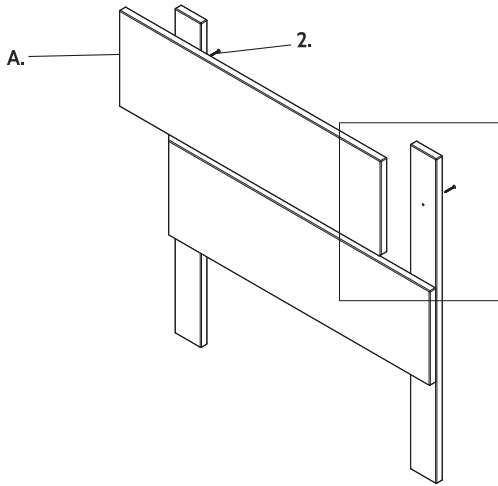
1



Aligning the first hole of the leg with the hole of the shelf

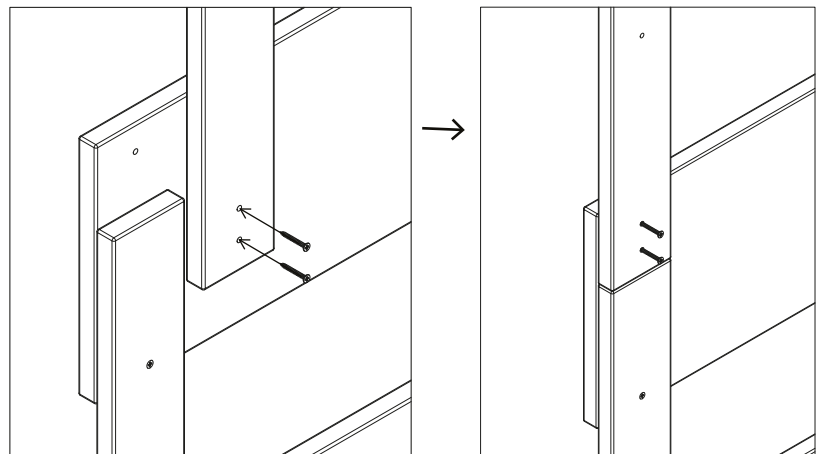
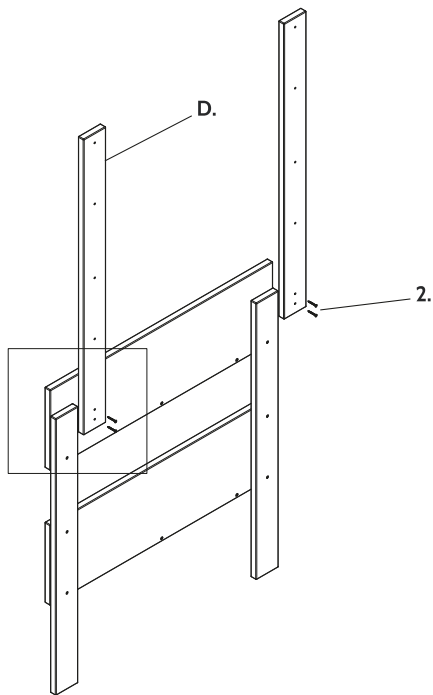
Wall rack Jamie - 180 x 80 cm

2



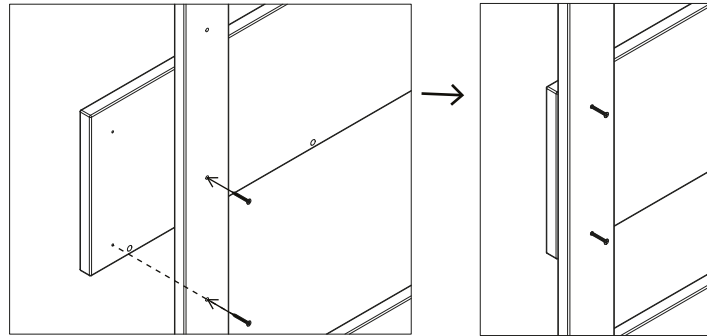
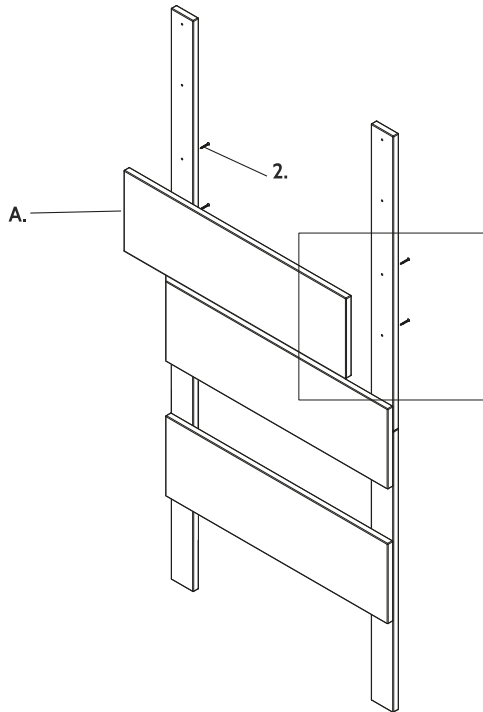
Aligning the first hole of the leg with the hole of the shelf

3



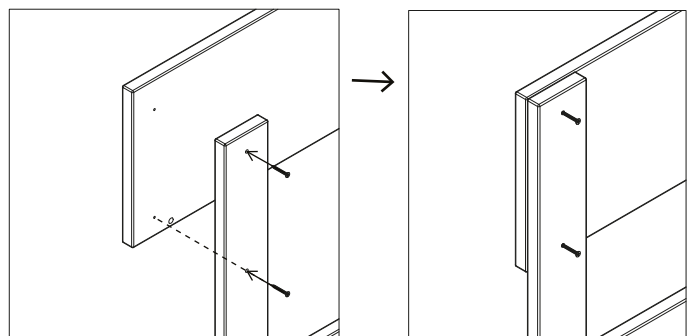
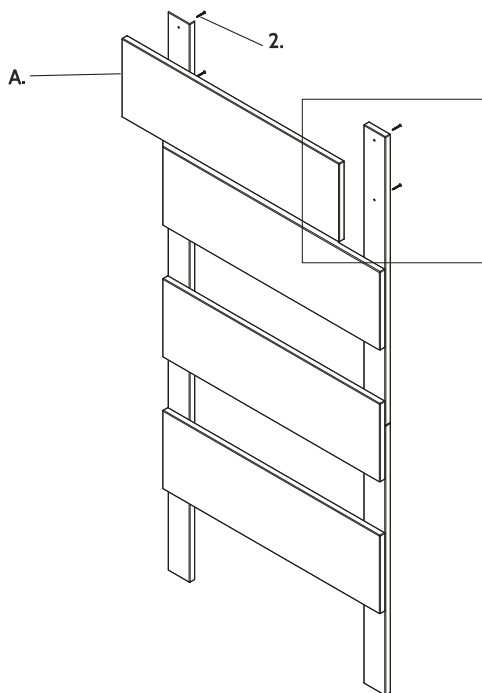
Wall rack Jamie - 180 x 80 cm

4



Aligning the first hole of the leg with the hole of the shelf

5



Aligning the first hole of the leg with the hole of the shelf

Wall rack Jamie - 180 x 80 cm

6

