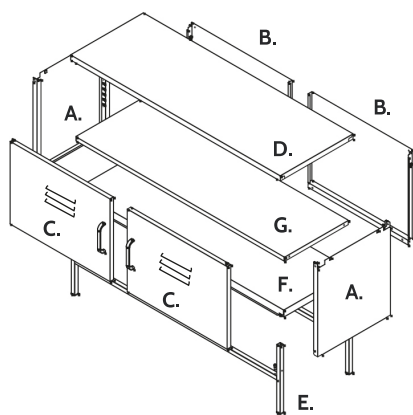


TV locker cabinet Finn

MaximaVida

samen geven we het leven kleur

OP-8143-V7EN



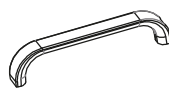
1. 4x



2. 2x



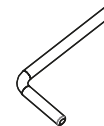
3. 2x



4. 2x



5. 4x



6. 2x

Tip!

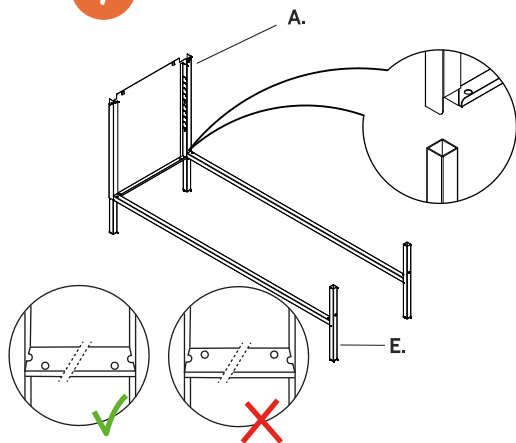
Be sure to carefully unpack the parts and place them on a soft surface, such as a blanket.

Then check all parts for damage before you begin assembly. Assembled products cannot be returned.



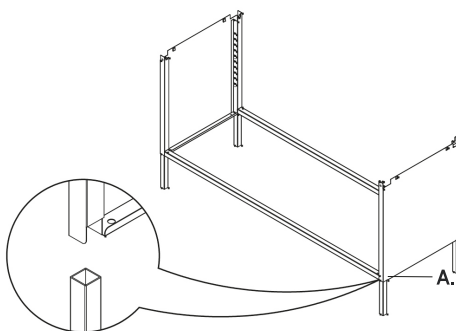
Prefer to watch the video?
Scan the QR code!

1



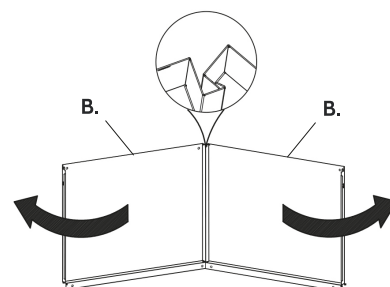
Holes must face outwards.

2

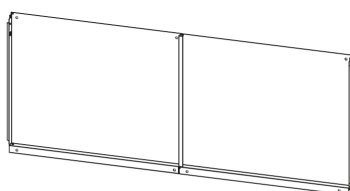


3

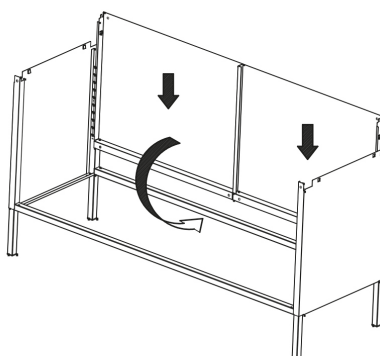
Slide both back walls together.



4

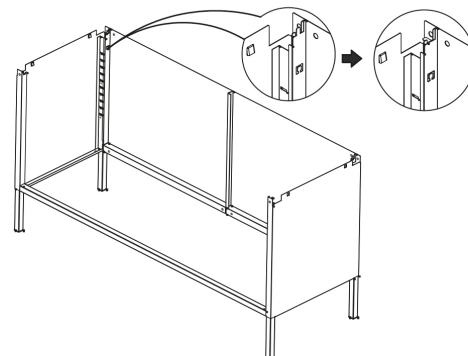


5



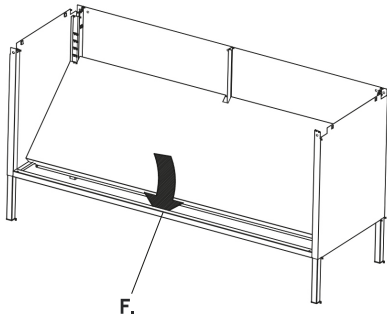
6

Bend tabs.

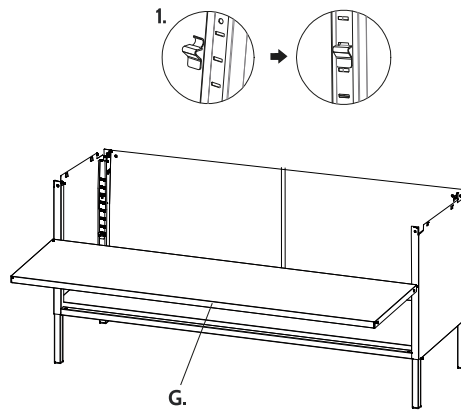


TV locker cabinet Finn

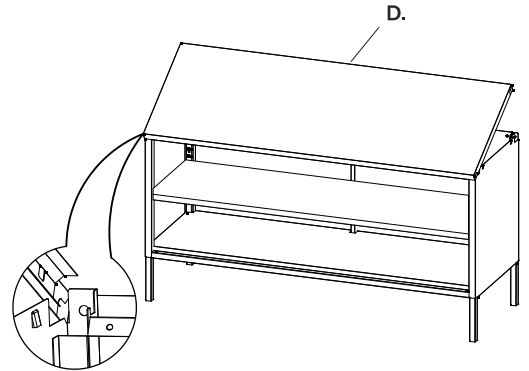
7



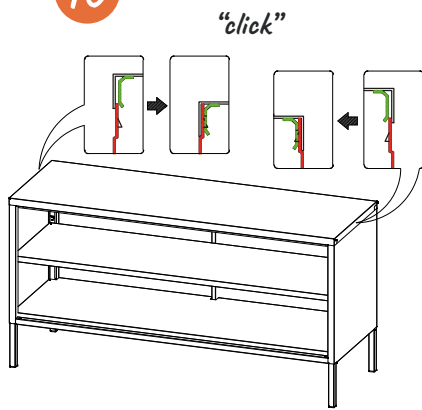
8



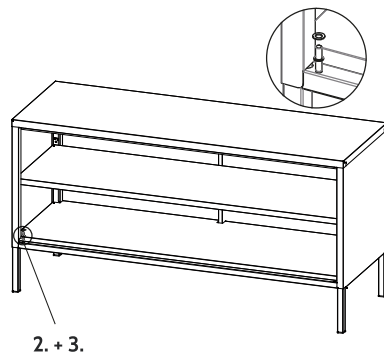
9



10

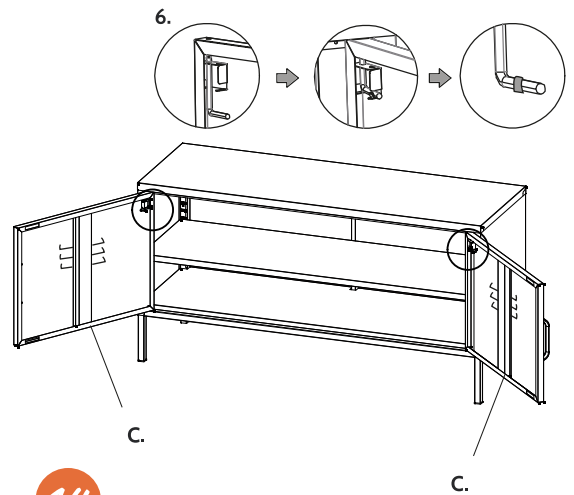


11

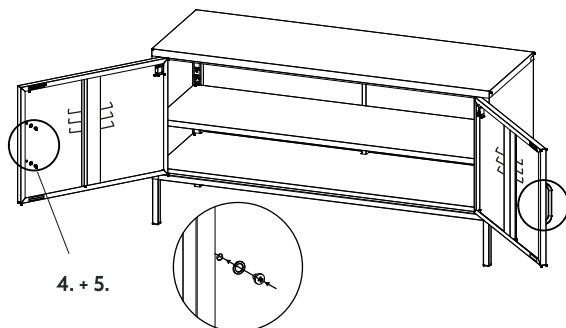


12

Bend tabs.



13



14

