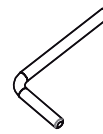
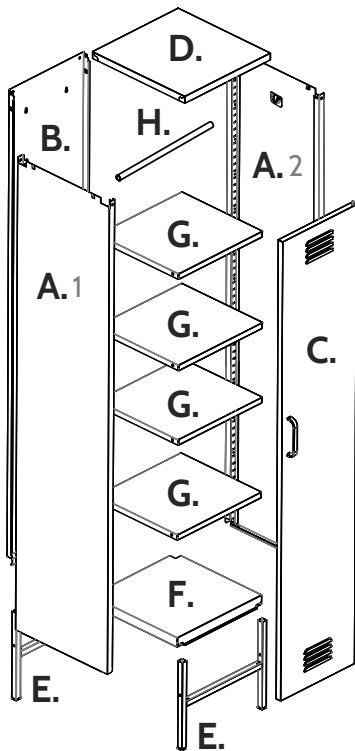


# Locker wardrobe Finn - narrow

OP-5753-V3EN



1. 1x



2. 1x



3. 1x



4. 2x



5. 2x



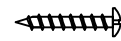
6. 1x



7. 16x



8. 2x

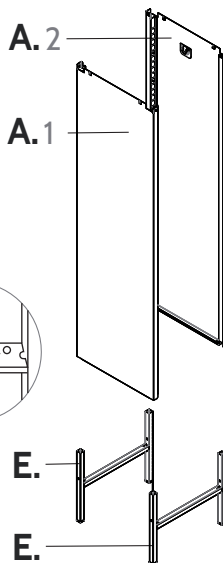


9. 2x

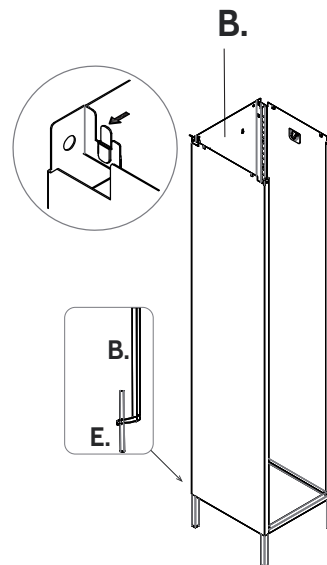


Be sure to carefully unpack the parts and place them on a soft surface, such as a blanket. Then check all parts for damage before you begin assembly. Assembled products cannot be returned.

1

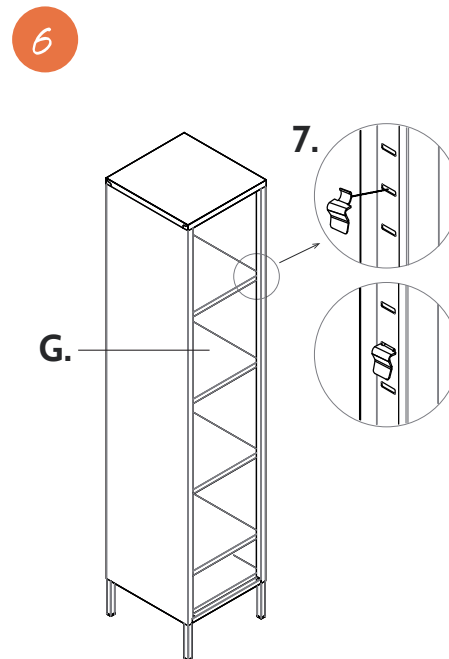
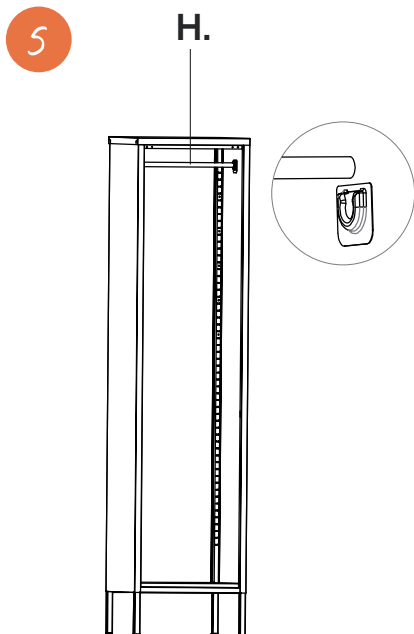
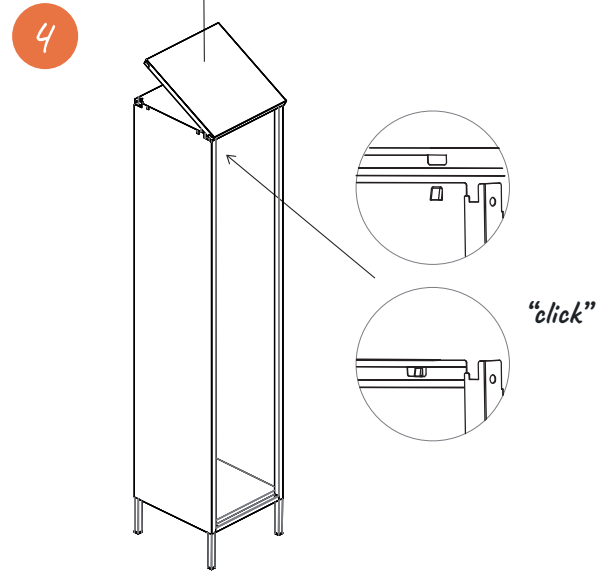
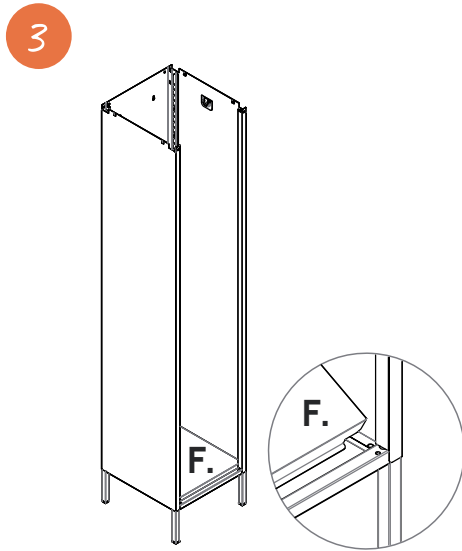


2



**Attention:** Holes must face outwards, plastic levelling feet must face down.

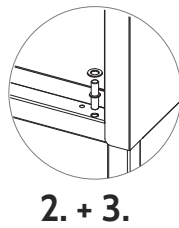
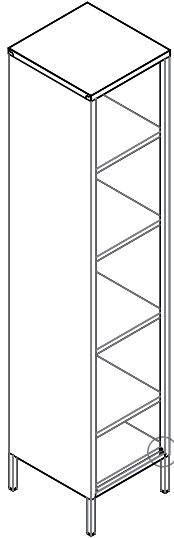
# Locker wardrobe Finn - narrow



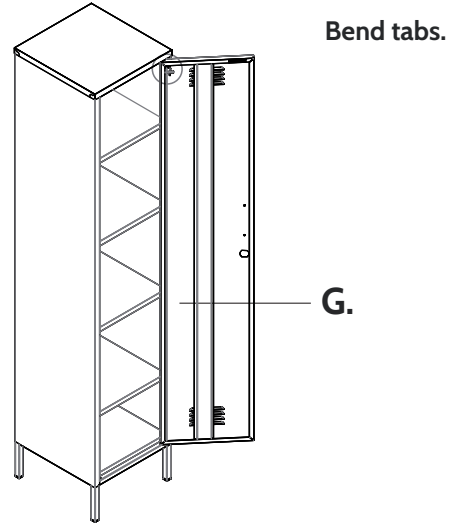
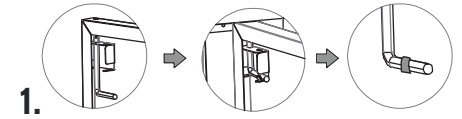
Don't want to use H?  
Then go straight to step 6.

# Locker wardrobe Finn - narrow

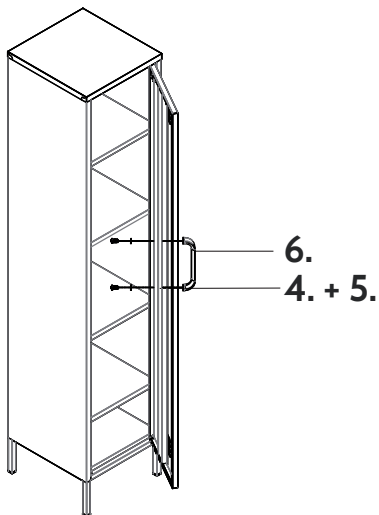
7



8

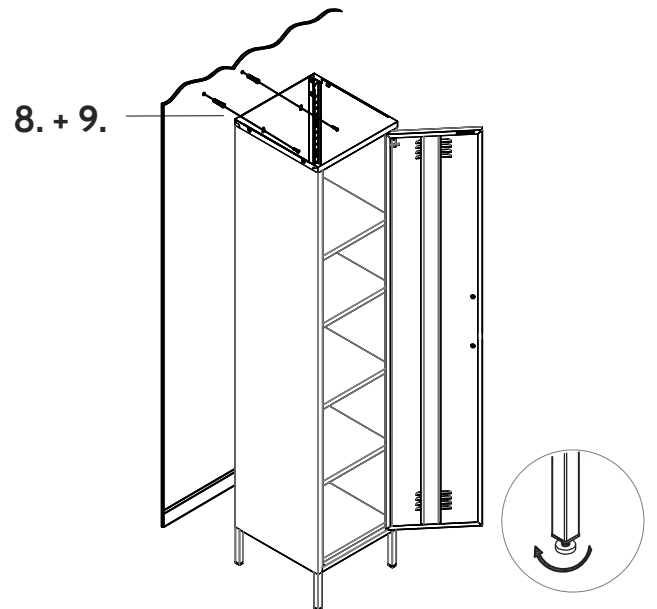


9



10

Fix to the wall.



Is the surface not even?  
Turn the plastic feet to correct this.