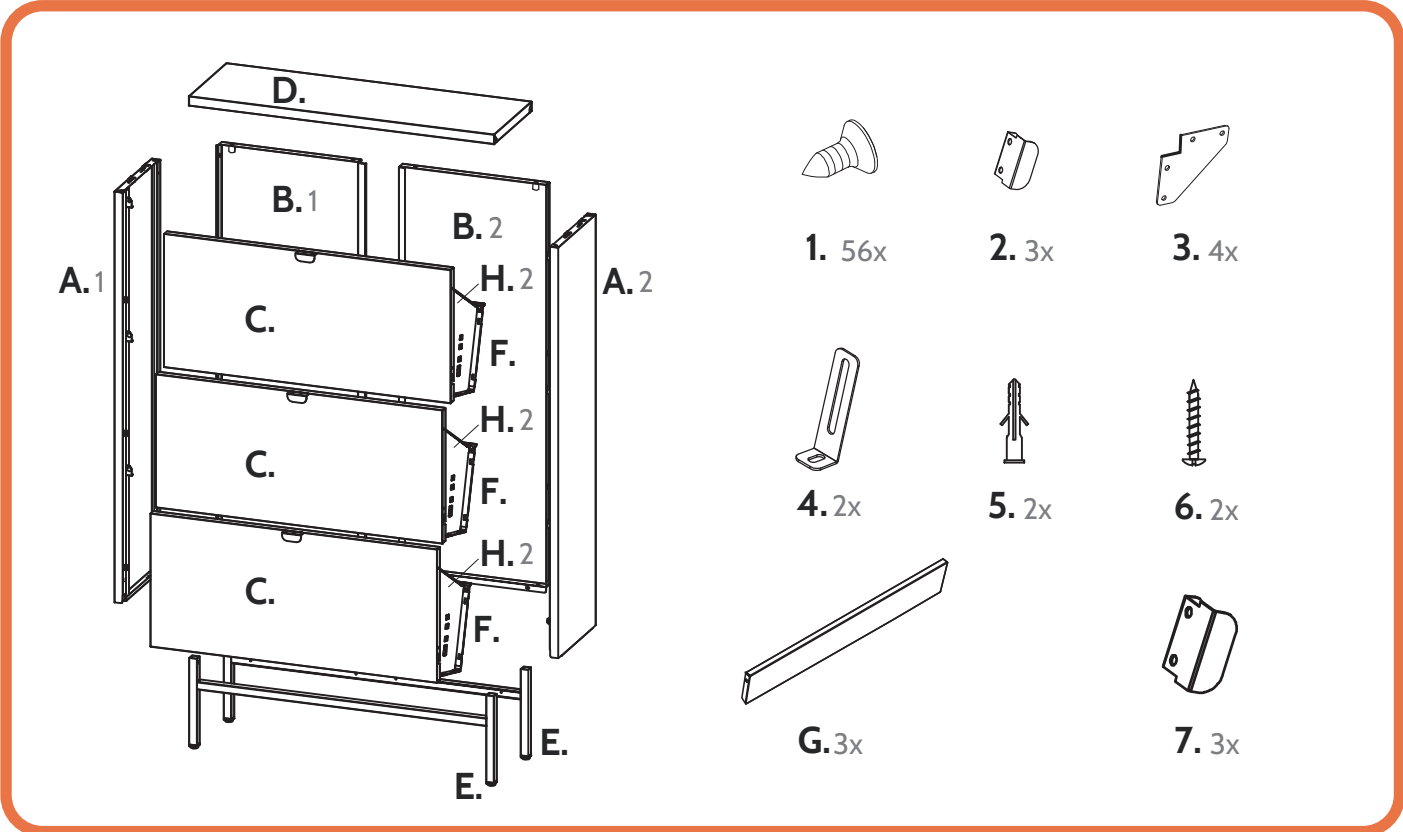


Shoe cabinet Finn

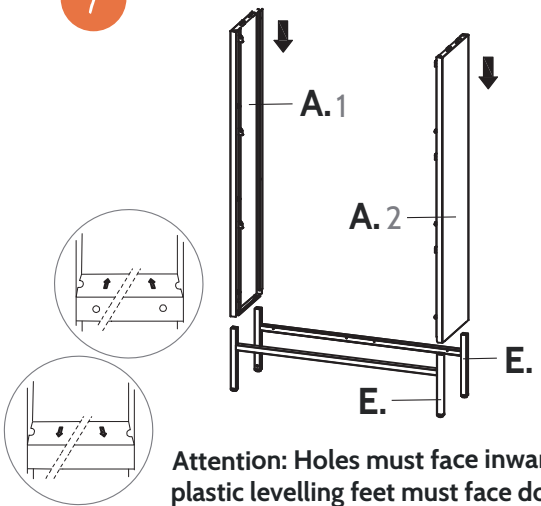
OP-5853-V2EN



Tip!

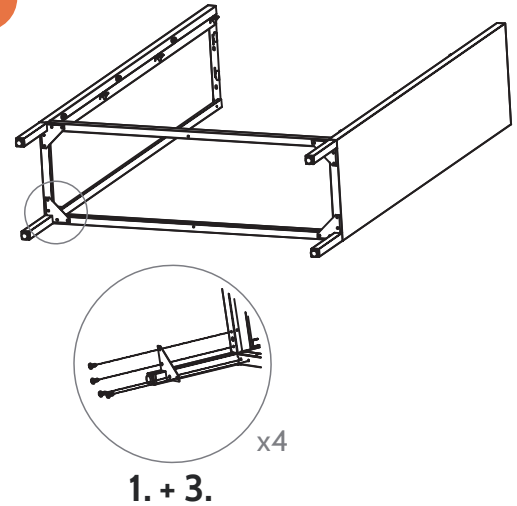
Be sure to carefully unpack the parts and place them on a soft surface, such as a blanket. Then check all parts for damage before you begin assembly. Assembled products cannot be returned.

1



Attention: Holes must face inwards, plastic levelling feet must face down.

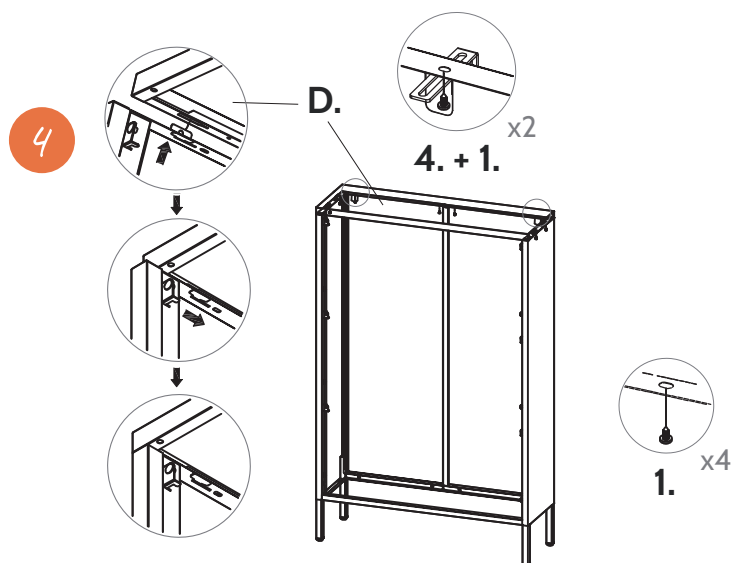
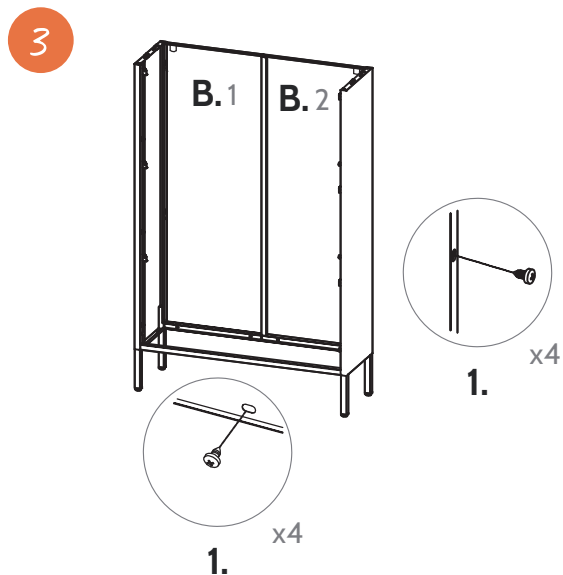
2



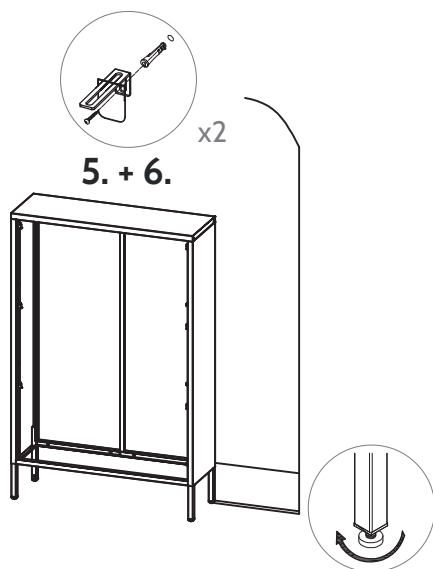
1. + 3.

Lightly tighten screws. Once all 4 corners have been attached, you can tighten them.

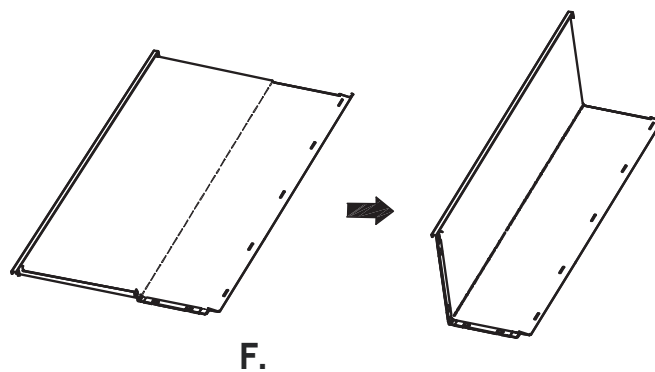
Shoe cabinet Finn



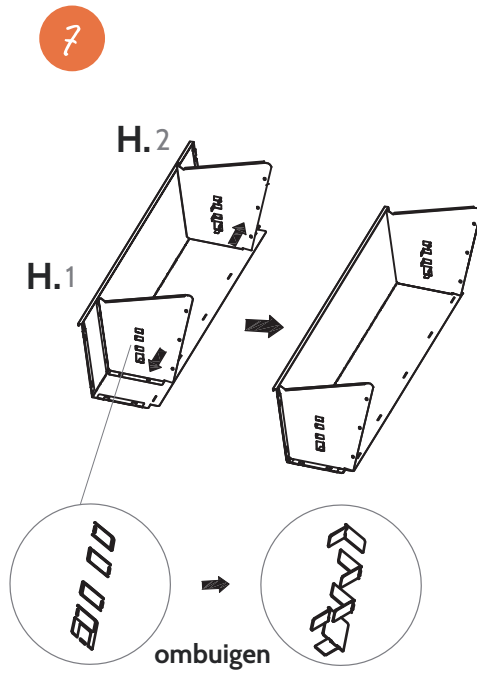
5 Attach to the wall.



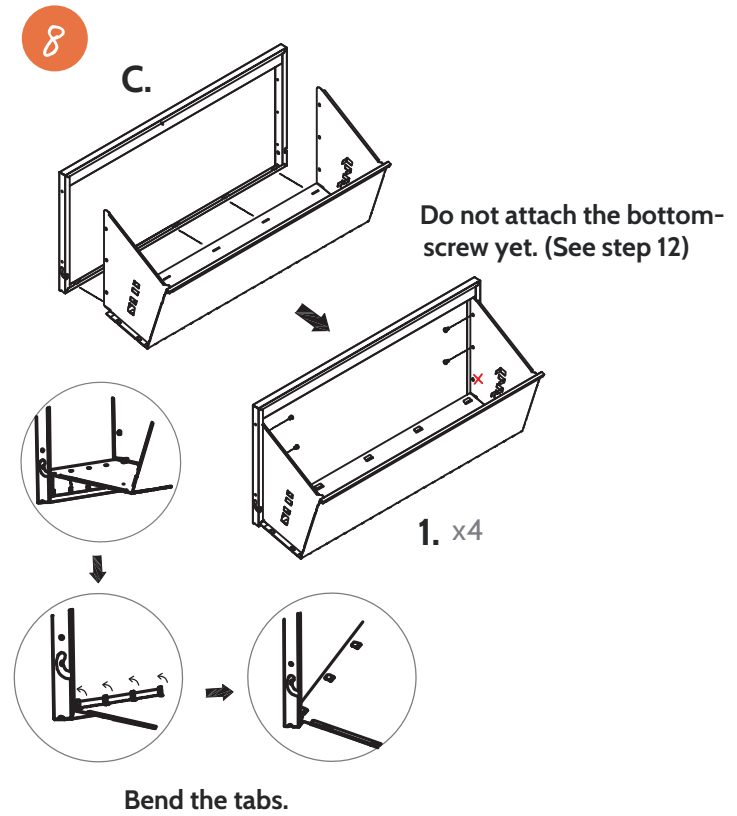
6 Bend F. at the perforation.



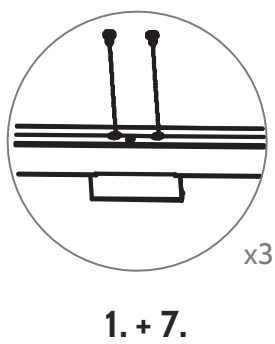
Is the surface uneven?
Turn the plastic levelling-
feet to correct this.



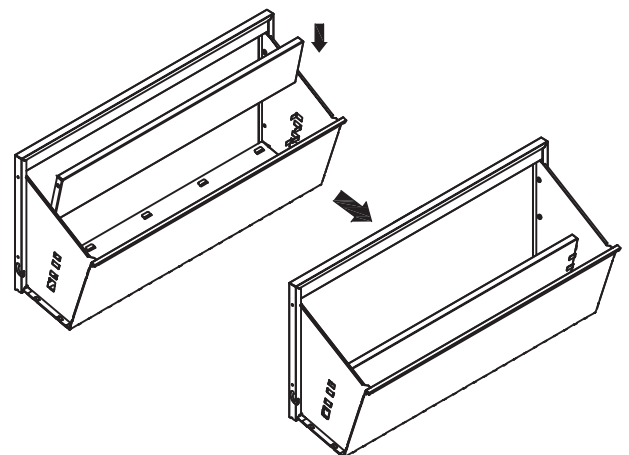
Not using dividers? (step 10)
then do not bend the tabs.



9 Attach the handles.



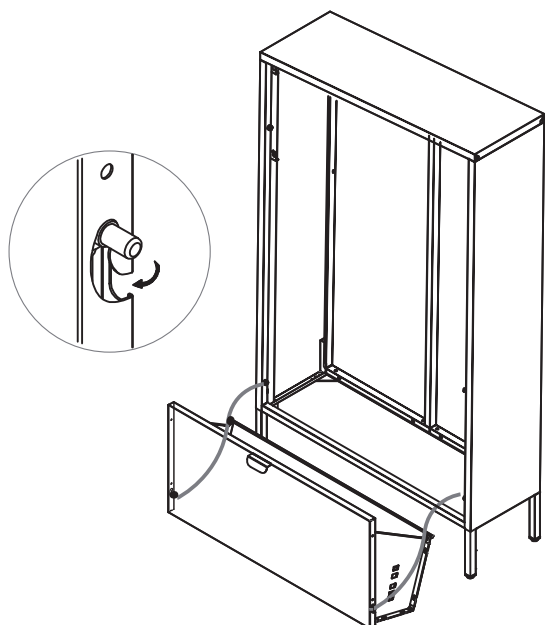
10 Optional, G. Placing dividers.



Shoe cabinet Finn

11

Place drawers with a scooping motion.



12

