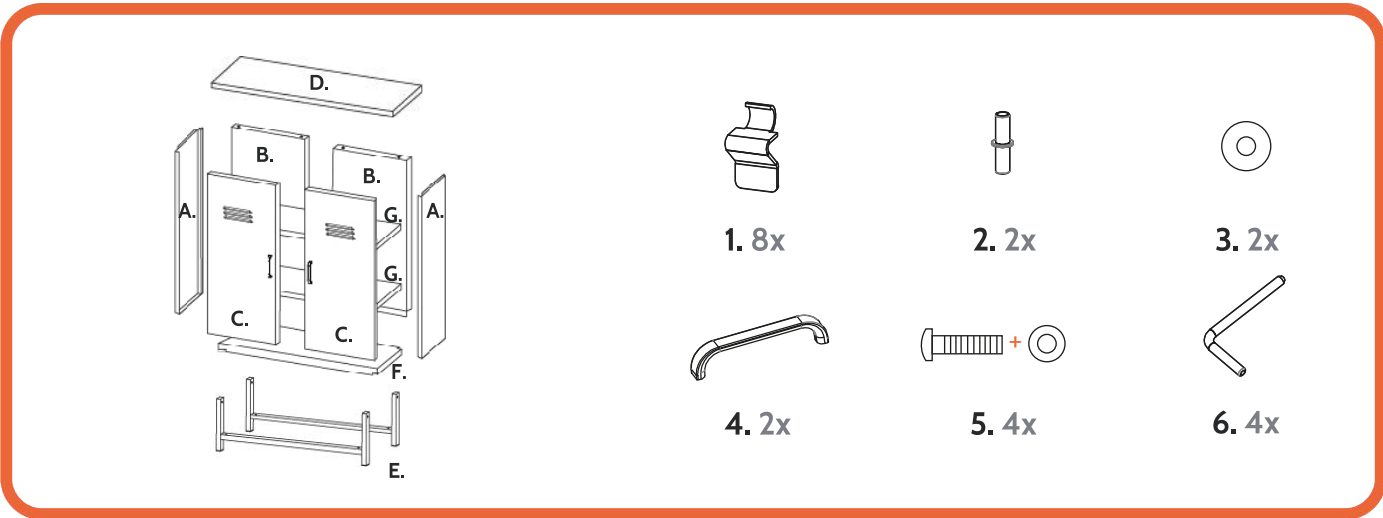


Locker cabinet Finn - 2 shelves

OP-8146-V7EN



Tip!

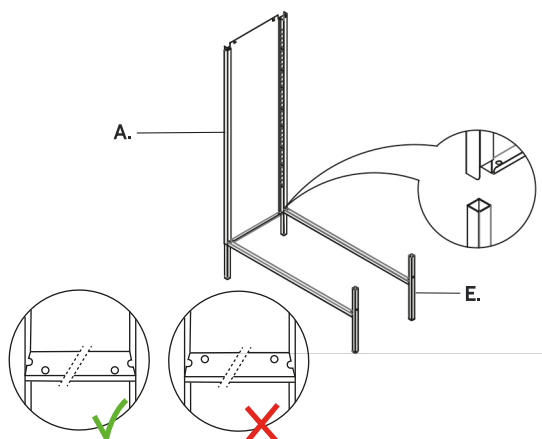
Be sure to carefully unpack the parts and place them on a soft surface, such as a blanket.

Then check all parts for damage before you begin assembly. Assembled products cannot be returned.



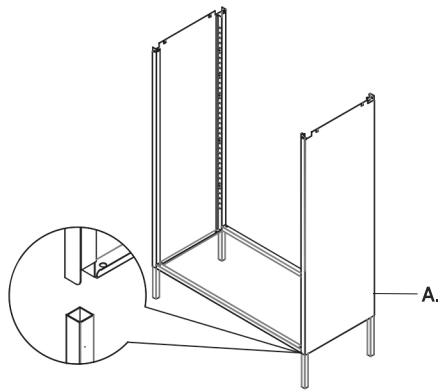
Prefer to watch the video?
Scan the QR code!

1



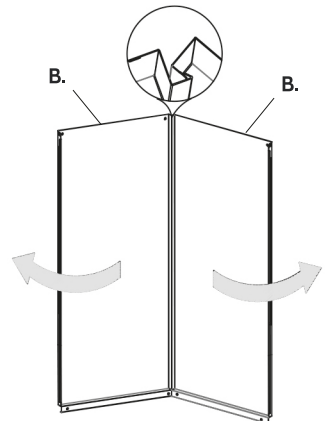
Holes must face outwards.

2

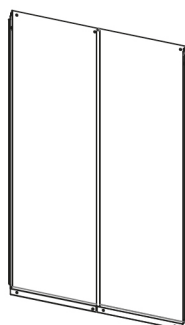


3

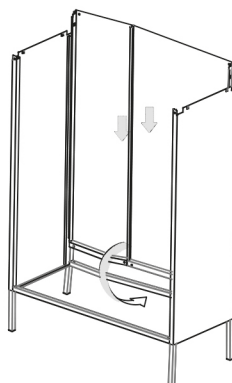
Slide both back walls together.



4

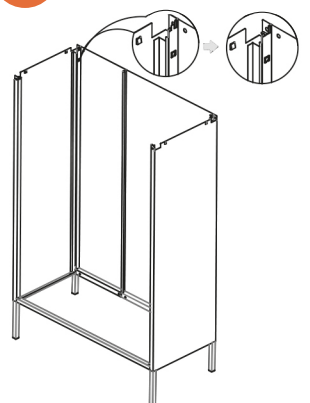


5



6

Bend tabs.

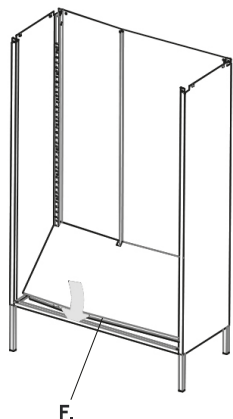


Locker cabinet Finn - 2 shelves

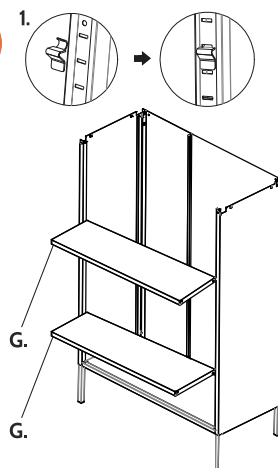
MaximaVida

samen geven we het leven kleur

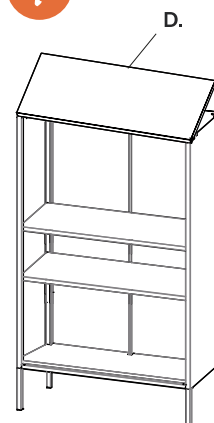
7



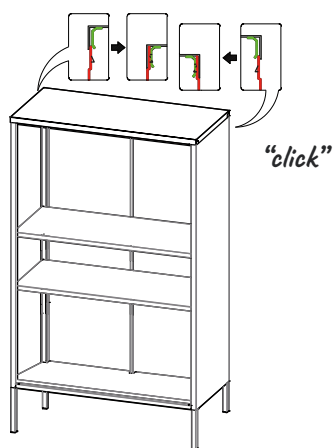
8



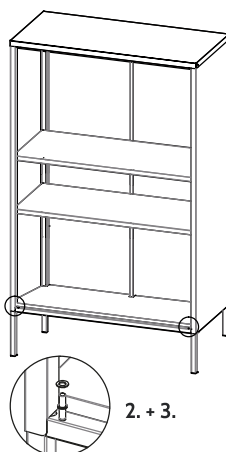
9



10

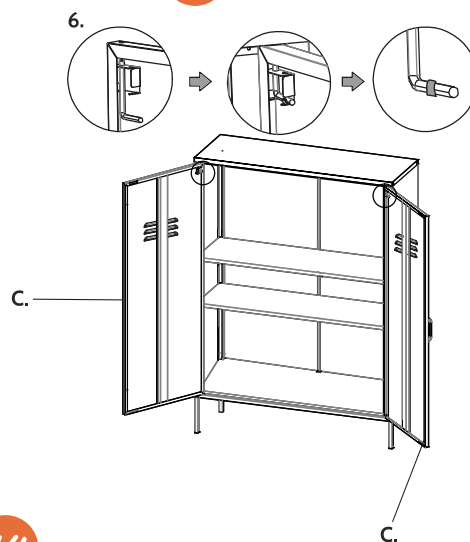


11

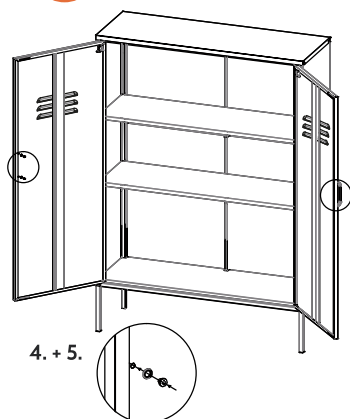


12

Bend tabs.



13



14

