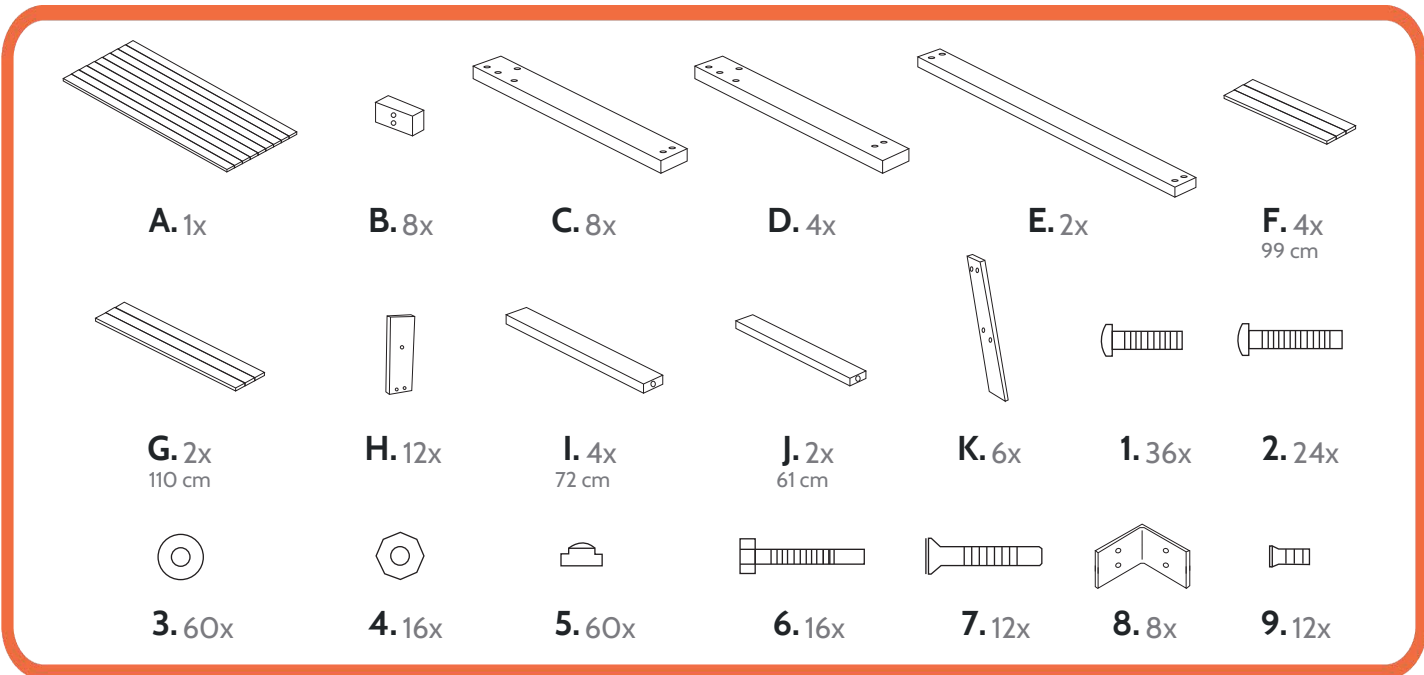
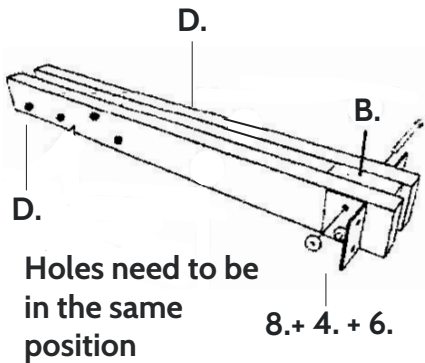


# Picnic table Tallinn - 300 cm

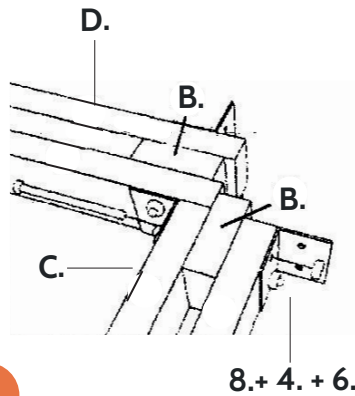
OP-6019-VIEN



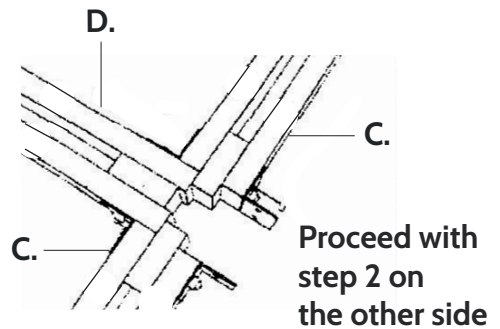
1



2

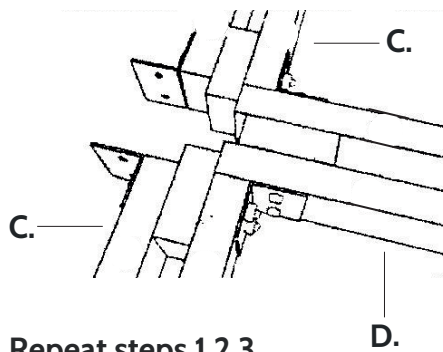


3

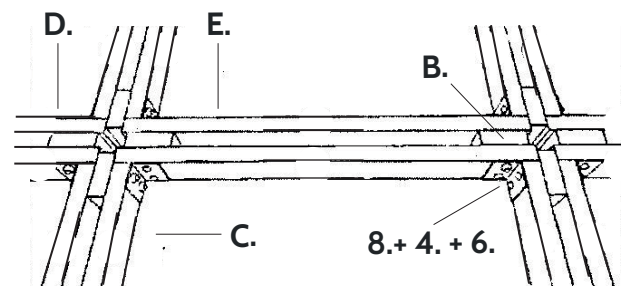


4

Repeat steps 1,2,3 on the opposite side

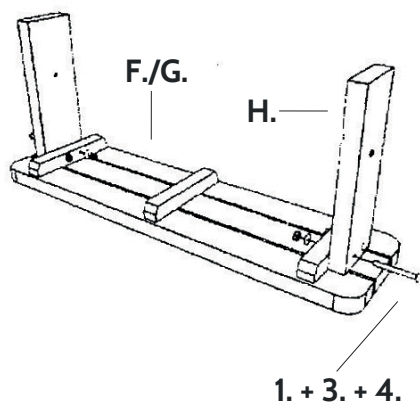


5

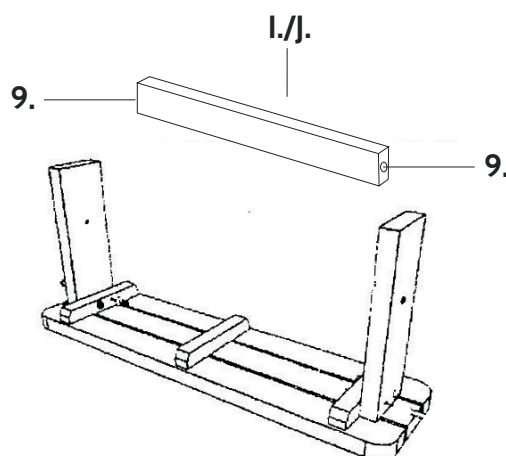


# Picnic table Tallinn - 300 cm

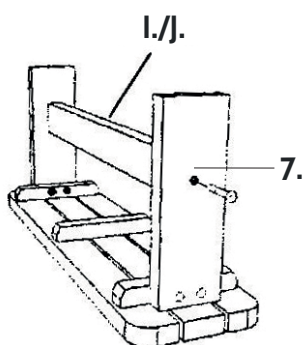
6



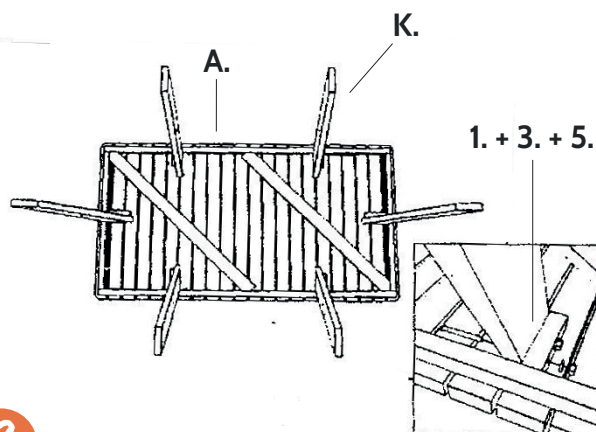
7



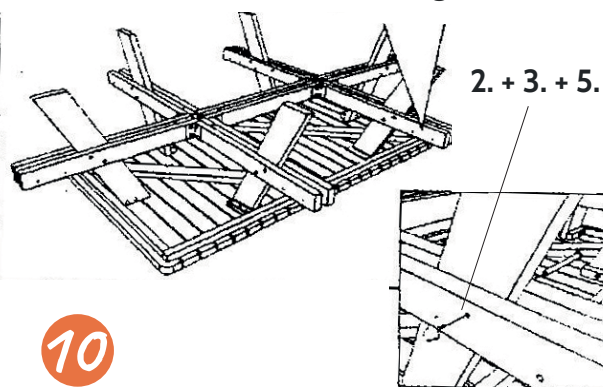
8



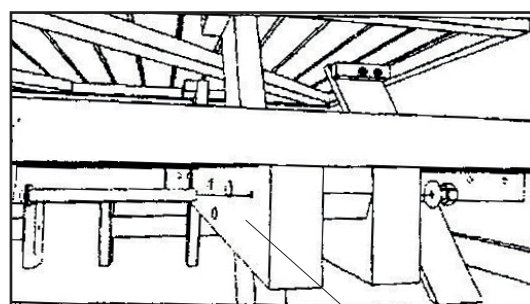
9



Place the cross with the holes facing down



10



11

Turn the table and place the seating on the construction

2. + 3. + 5.