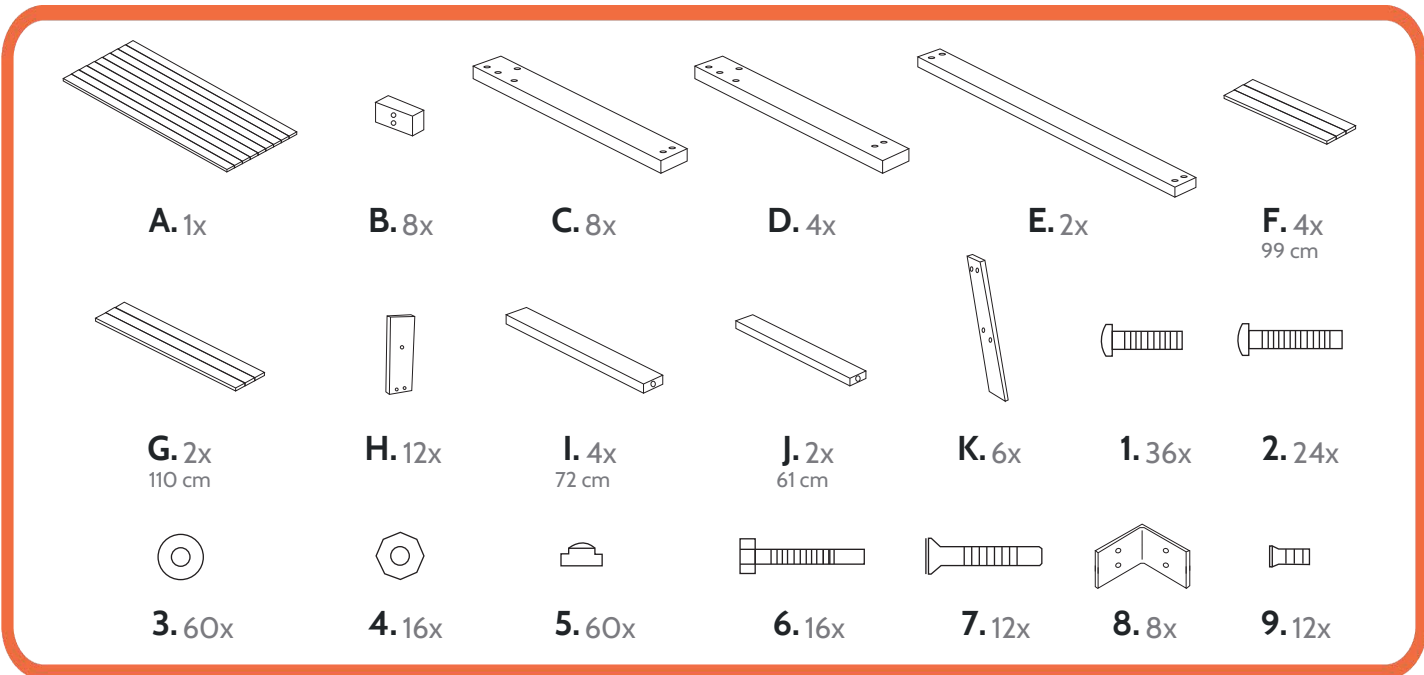


Picnic table Tallinn - 300 cm

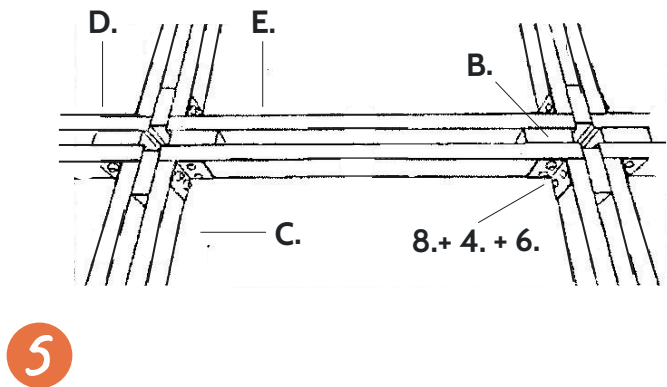
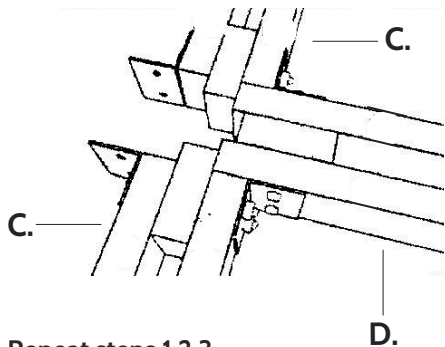
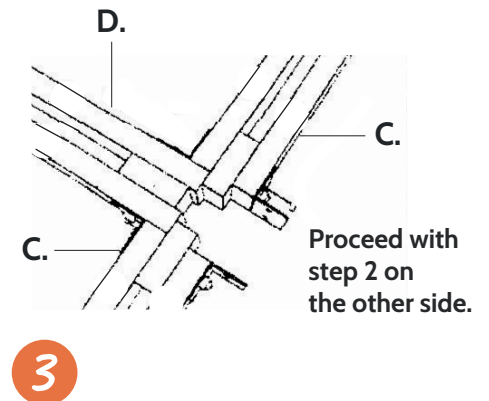
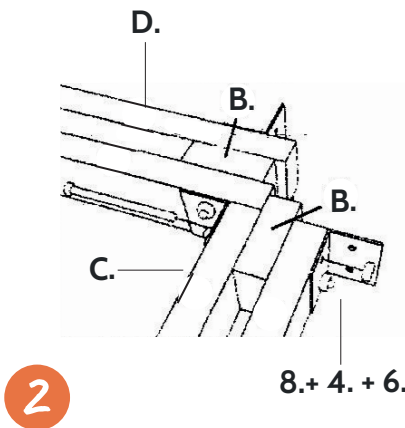
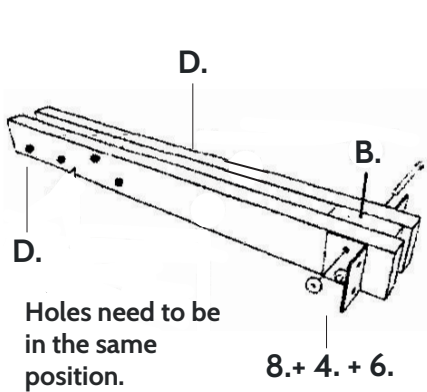
OP-6019-V3EN



Be sure to carefully unpack the parts and place them on a soft surface, such as a blanket. Then check all parts for damage before you begin assembly. Assembled products cannot be returned.

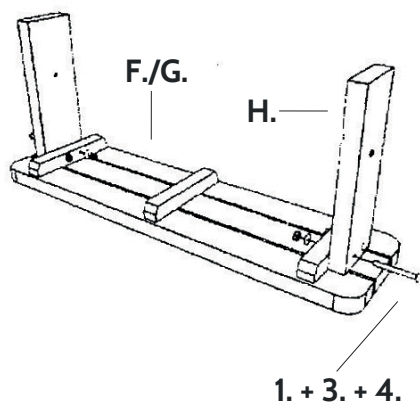


When you start assembling, it is wise to not fully tighten the nuts and bolts, but loosely, so there is still some slack. Once all the parts are assembled, you can tighten them.

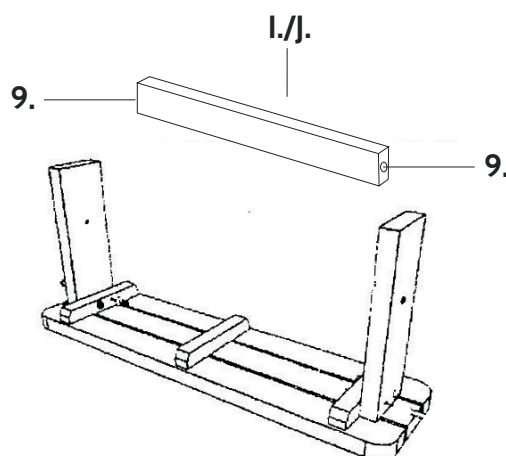


Picnic table Tallinn - 300 cm

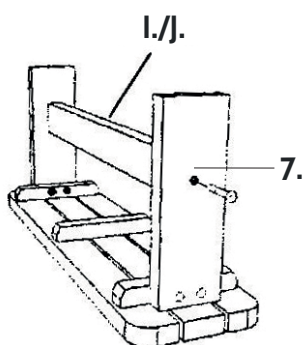
6



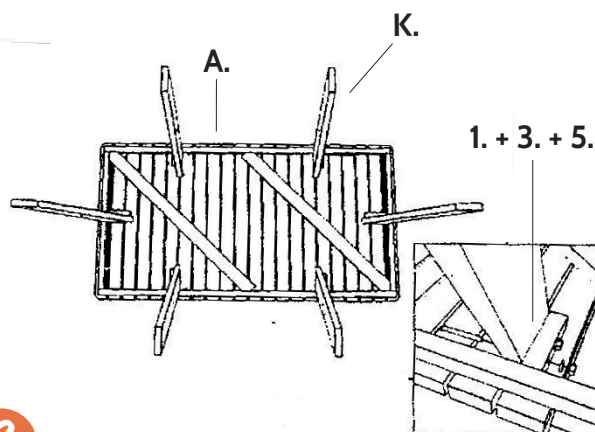
7



8

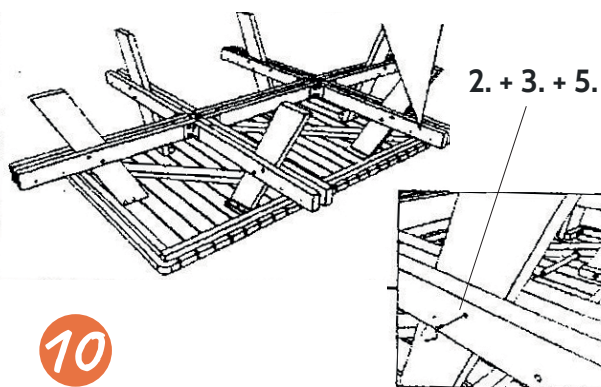


9

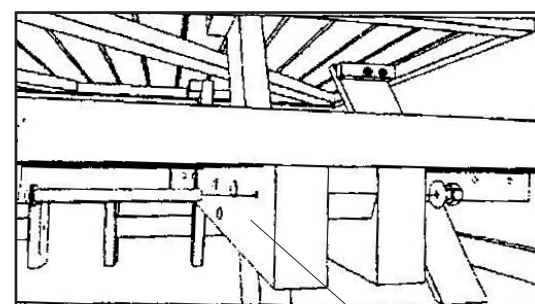


Place the cross with the holes facing down.

10



11



Turn the table and place the seating on the construction.

2. + 3. + 5.