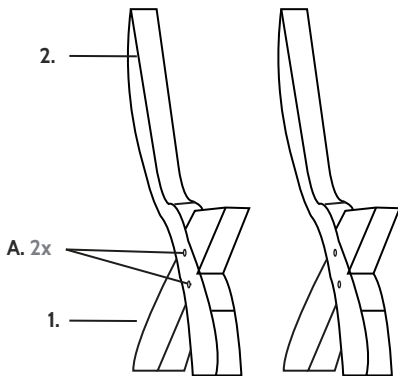


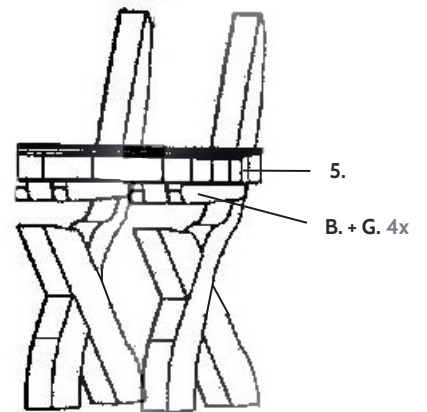
Be sure to carefully unpack the parts and place them on a soft surface, such as a blanket.

Then check all parts for damage before you begin assembly. Assembled products cannot be returned.

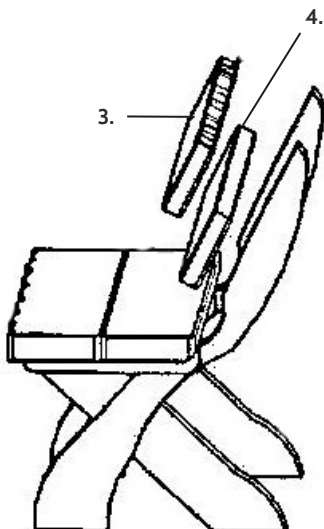
1



2



3



4

