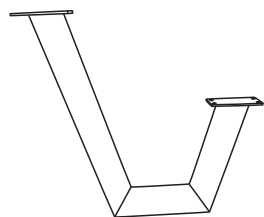
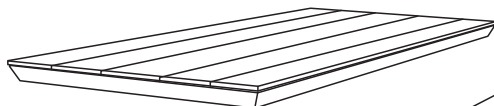


Picnic table Bermuda 200cm

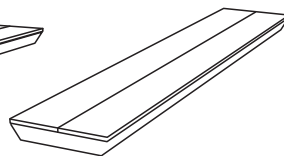
OP-6256-VIEN



A. 4x



B. 1x



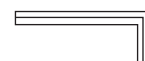
C. 2x



1. 32x



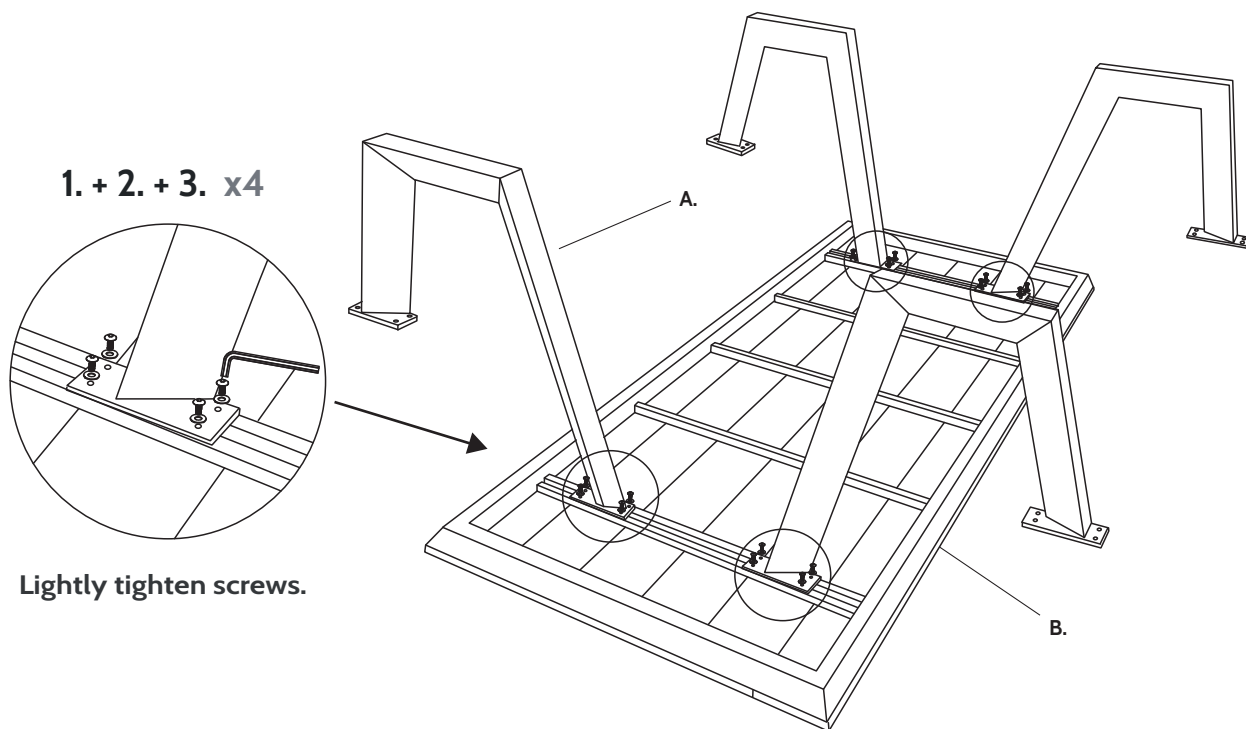
2. 32x



3. 1x

1

Use the packaging to protect the tabletop. This will prevent scratches on the table top.



2

Tighten all screws after installation.

1. + 2. + 3. x4

