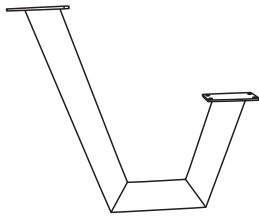


Picnic table Bermuda 200cm

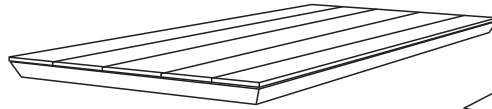
MaximaVida

samen geven we het leven kleur

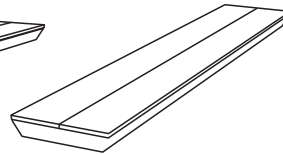
OP-6256-V2EN



A. 4x



B. 1x



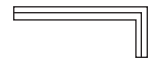
C. 2x



1. 32x



2. 32x



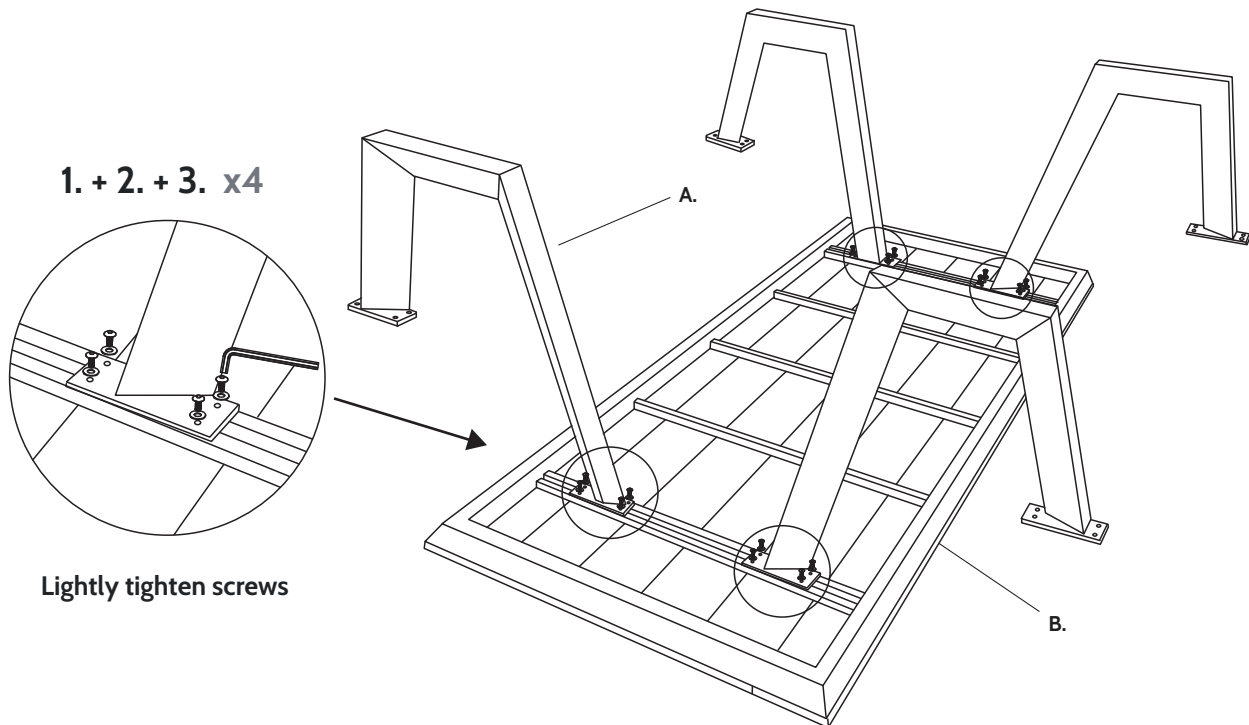
3. 1x

Tip!

Be sure to carefully unpack the parts and place them on a soft surface, such as a blanket. Then check all parts for damage before you begin assembly. Assembled products cannot be returned.

1

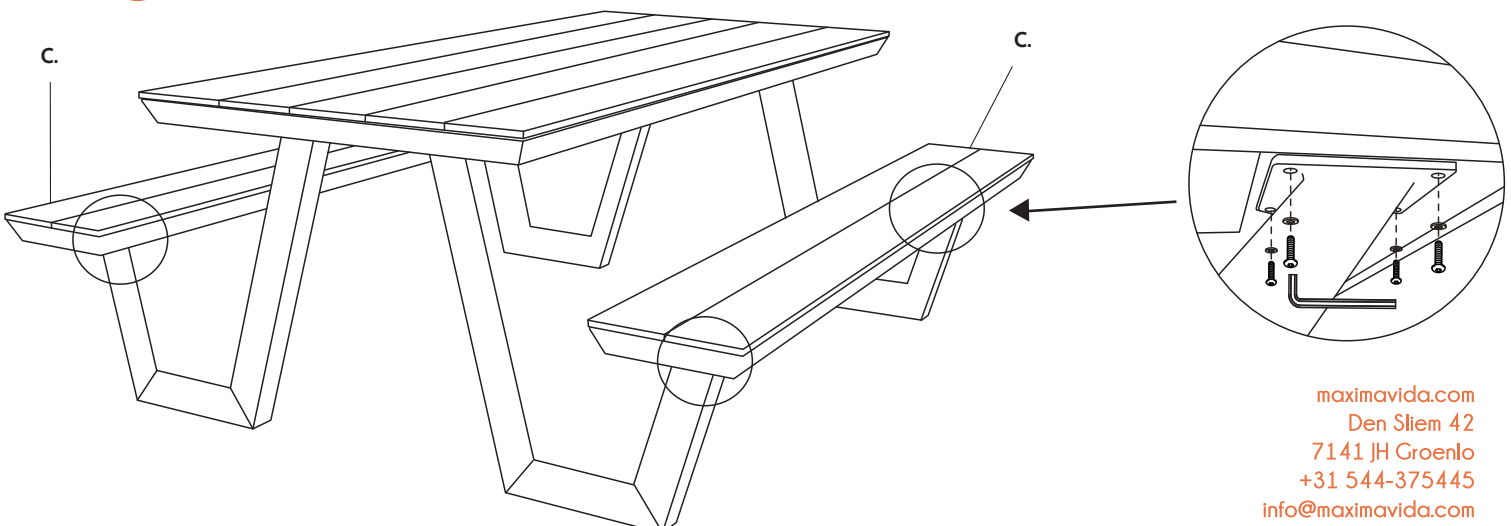
Use the packaging to protect the tabletop. This will prevent scratches on the table top.



2

Tighten all screws after installation.

1. + 2. + 3. x4



maximavida.com
Den Sliem 42
7141 JH Groenlo
+31 544-375445
info@maximavida.com