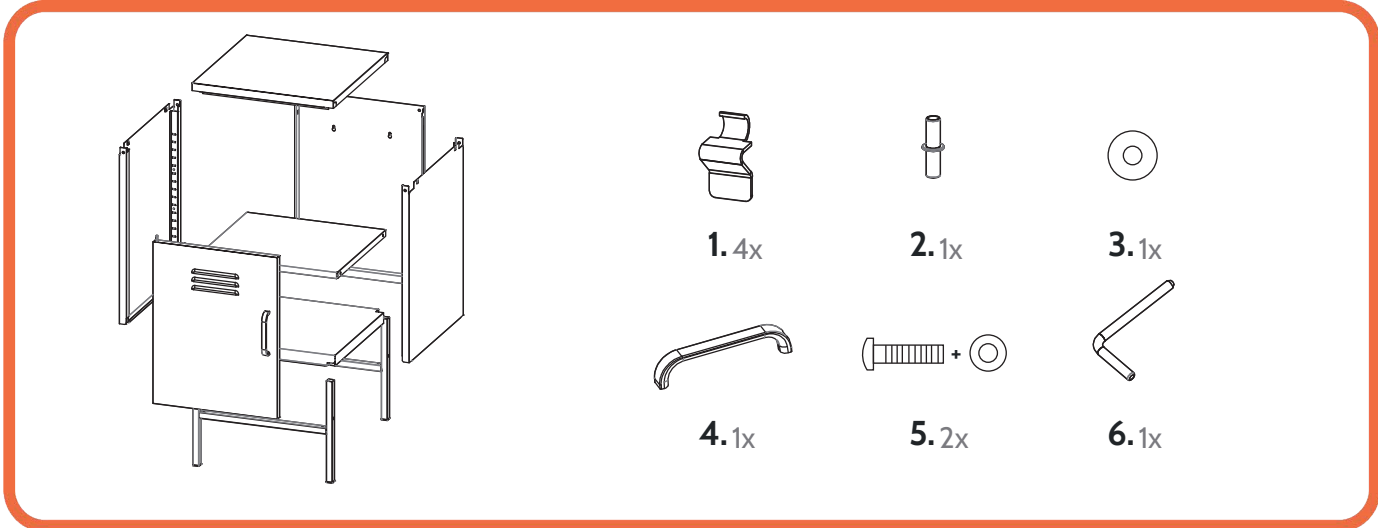


Little locker - 52 x 40 x 65 cm

OP-9845-VIEN



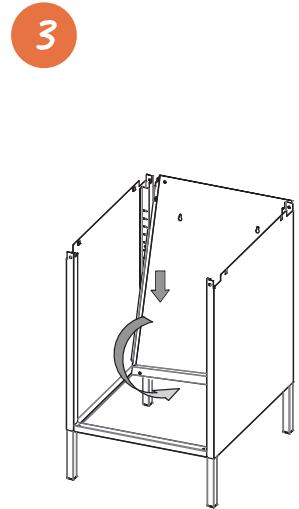
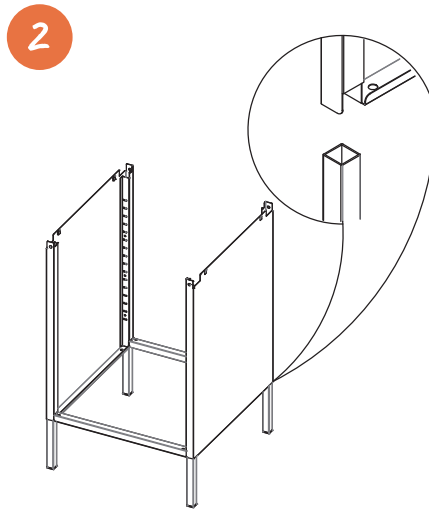
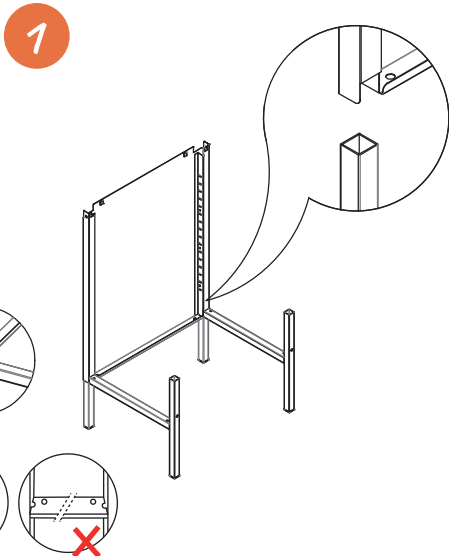
Tip!

Be sure to carefully unpack the parts and place them on a soft surface, such as a blanket.

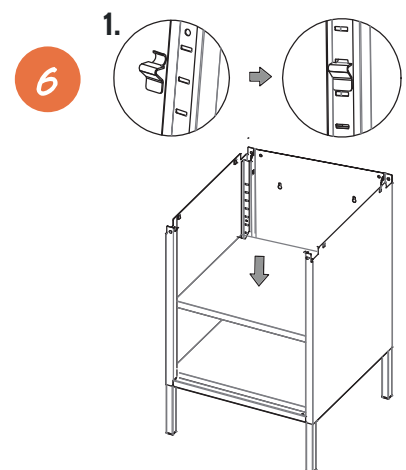
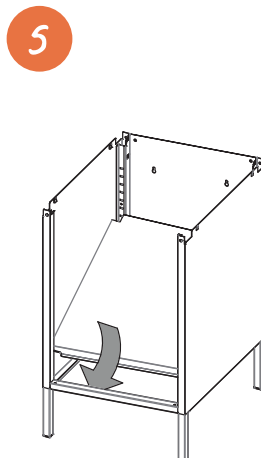
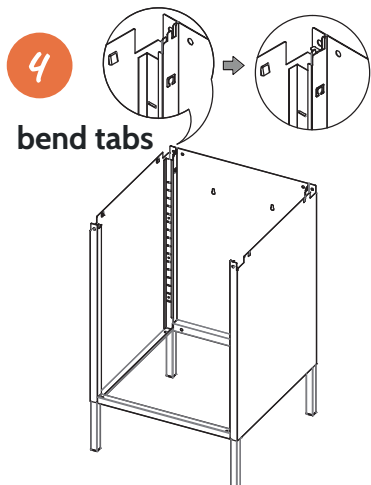
Then check all parts for damage before you begin assembly. Assembled products cannot be returned.



*Bekijk je liever de video?
Scan dan de QR-code.*



Hinge holes at the front



Little locker - 52 x 40 x 65 cm

