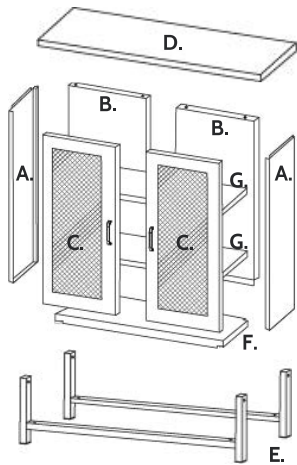


# Locker showcase cabinet Finn - 2 shelves

OP-8947-V5EN



1. 8x



2. 2x



3. 2x



4. 2x



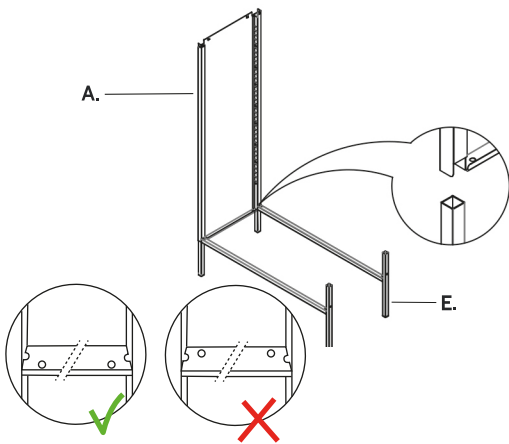
5. 2x

*Tip!*

Be sure to carefully unpack the parts and place them on a soft surface, such as a blanket.

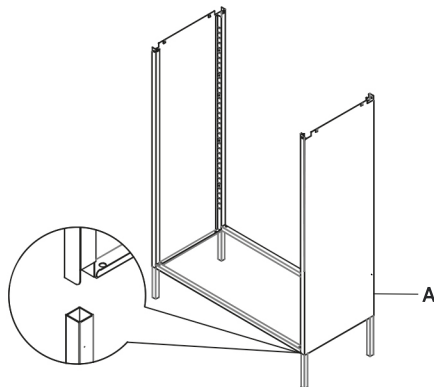
Then check all parts for damage before you begin assembly. Assembled products cannot be returned.

1



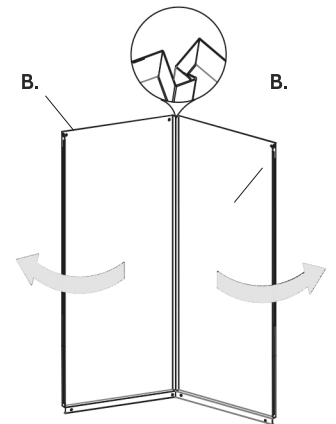
Holes must face outwards.

2

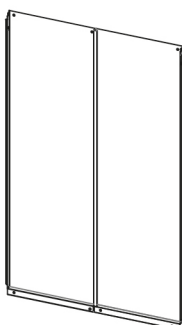


3

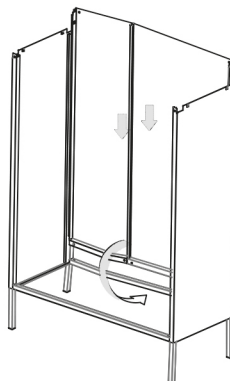
Slide both back walls together.



4

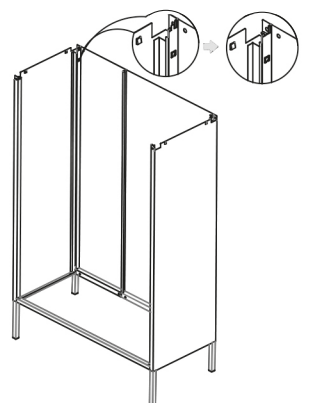


5



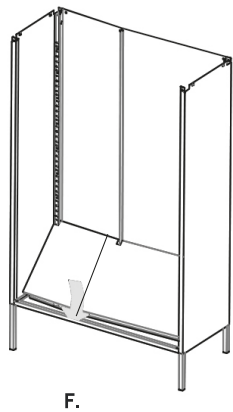
6

Bend tabs.

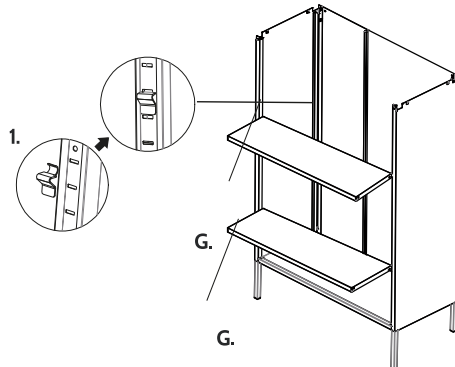


# Locker showcase cabinet Finn - 2 shelves

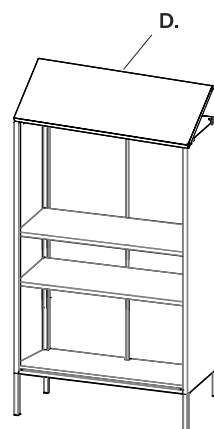
7



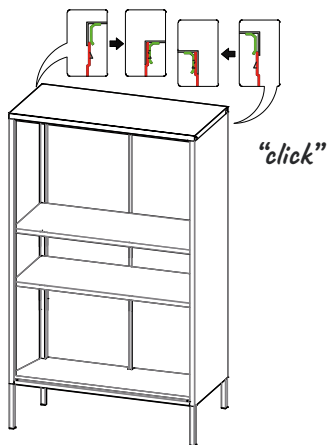
8



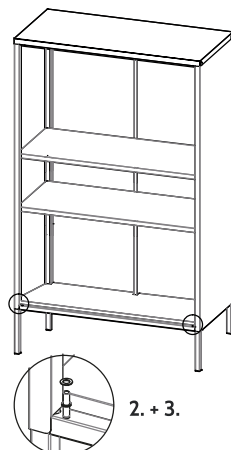
9



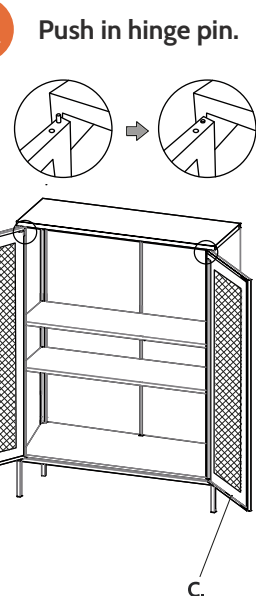
10



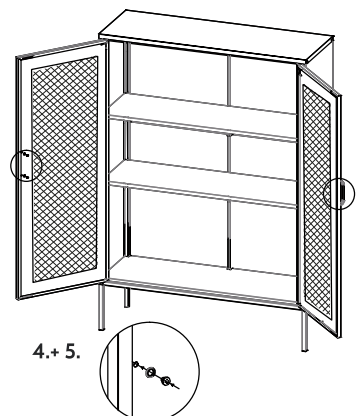
11



12



13



14

