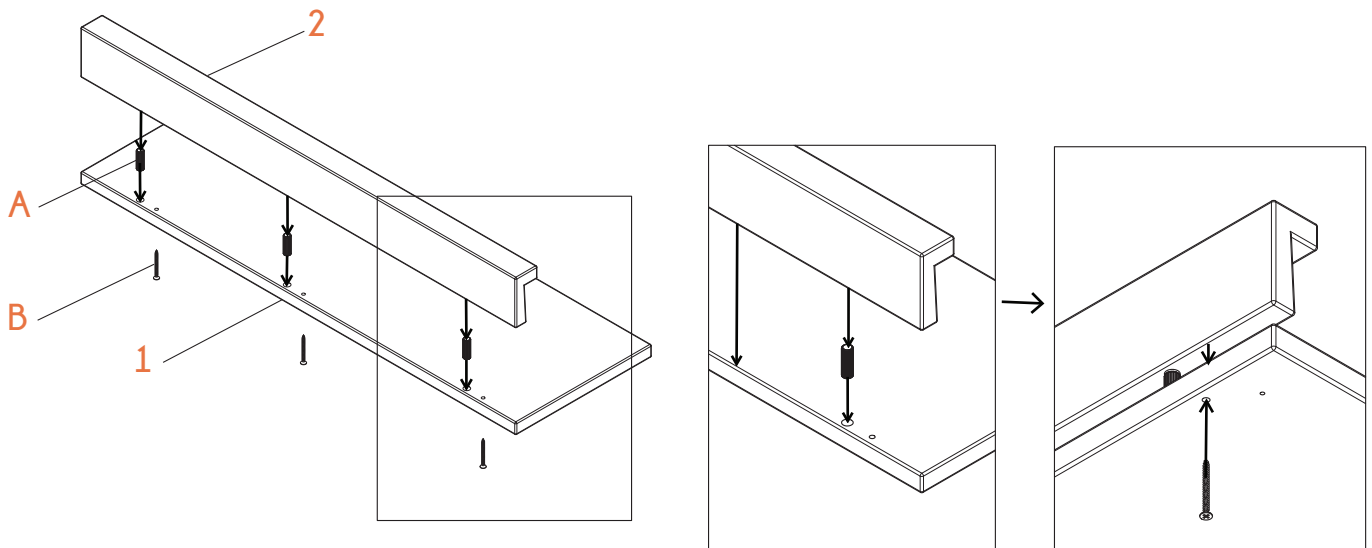


OPJAMV1

1

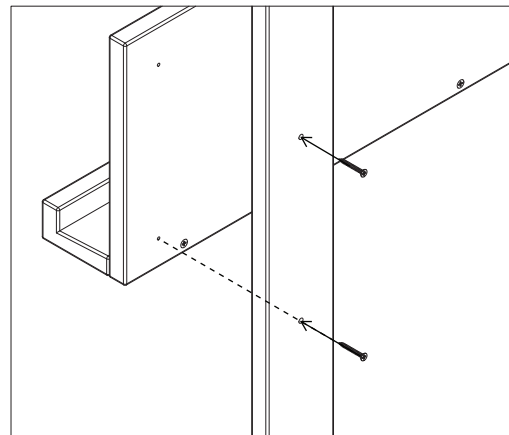
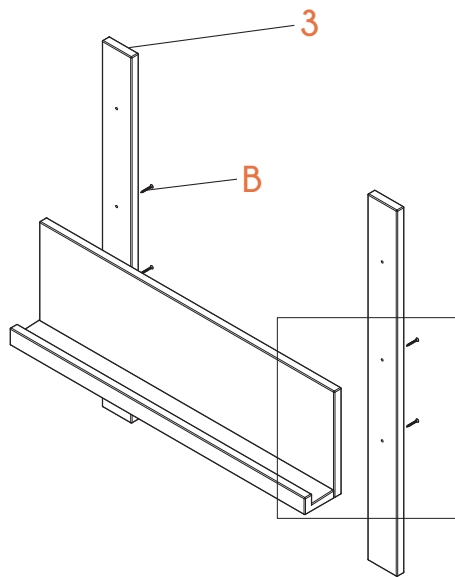


Care instructions

- Tighten the screws at the end of the construction and check them regularly afterwards
- Do not use power screw drivers as they might cause splitting
- Only use special cleanser or impregnate oil to clean wooden products and water and soap for aluminium and steel products
- Use soft brushes when cleaning to avoid scratching the surface
- Protect your furniture/products with a cover when you are not using it

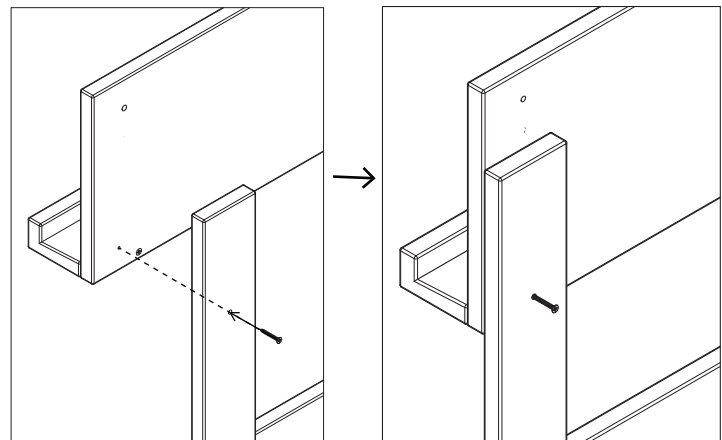
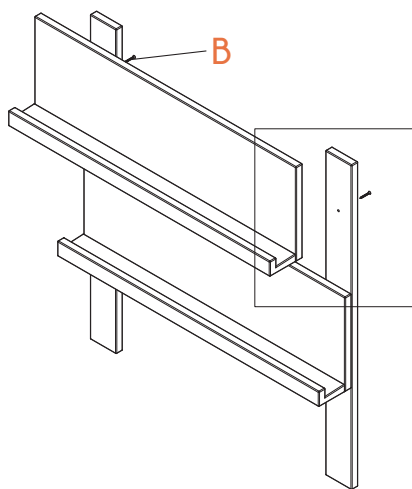
maximavida.com
Den Sliem 42
7141 JH Groenlo
+31 544-375445
info@maximavida.com

2



Het eerste gat van de poot uitlijnen met het gat van het schap

3



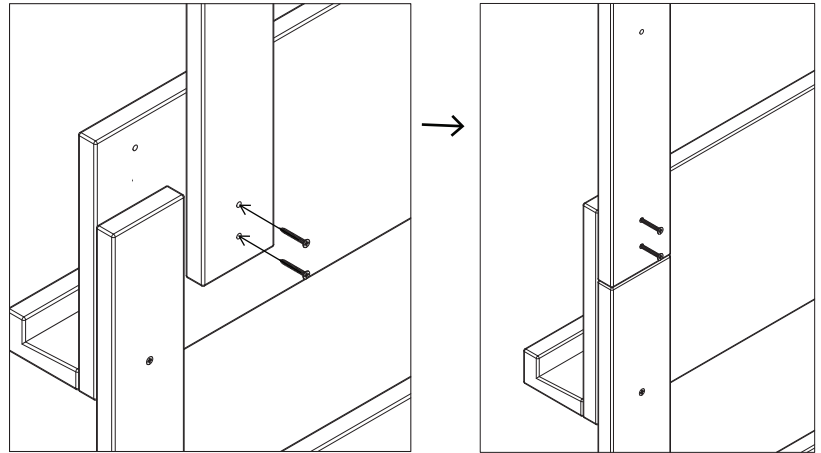
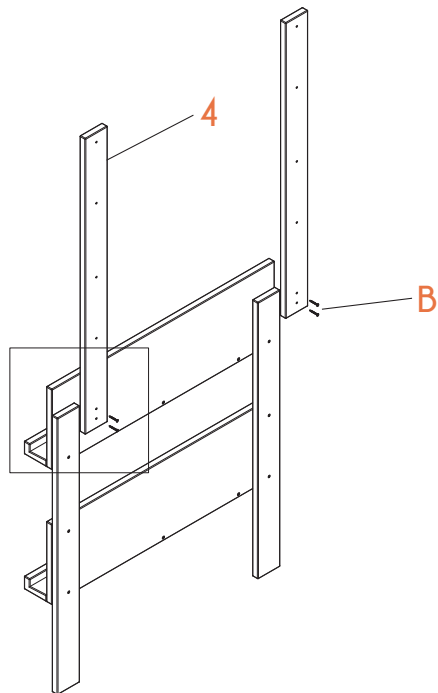
Het eerste gat van de poot uitlijnen met het gat van het schap

Care instructions

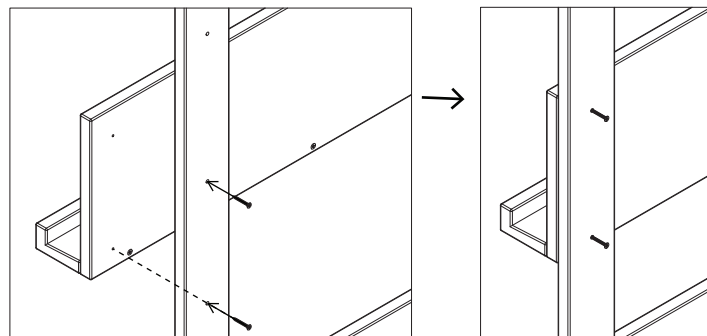
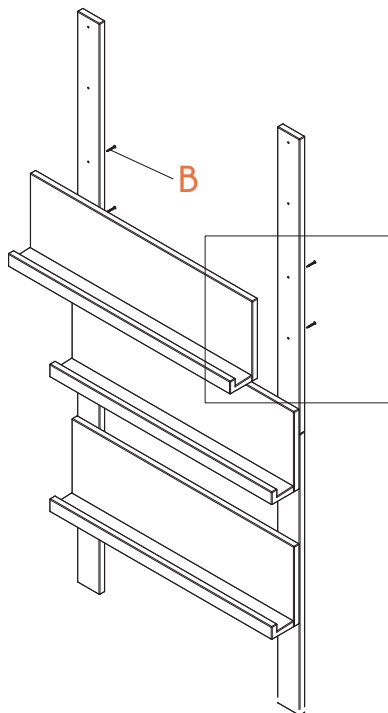
- Tighten the screws at the end of the construction and check them regularly afterwards
- Do not use power screw drivers as they might cause splitting
- Only use special cleanser or impregnate oil to clean wooden products and water and soap for aluminium and steel products
- Use soft brushes when cleaning to avoid scratching the surface
- Protect your furniture/products with a cover when you are not using it

maximavida.com
Den Sliem 42
7141 JH Groenlo
+31 544-375445
info@maximavida.com

4



5



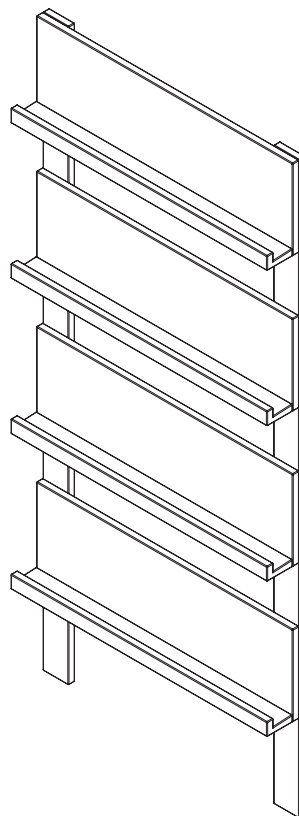
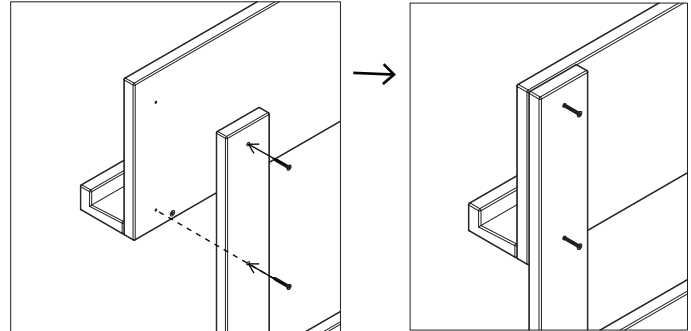
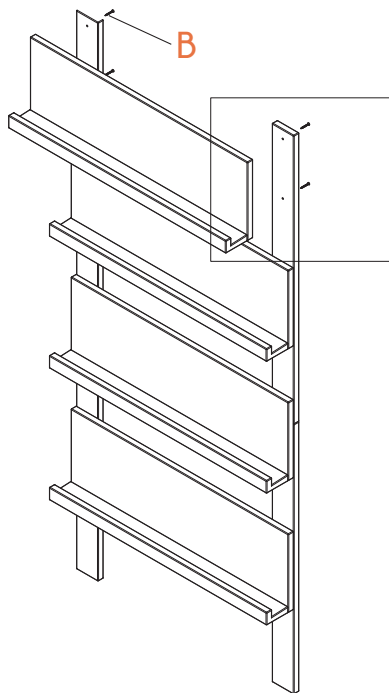
Het eerste gat van de poot uitlijnen met het gat van het schap

Care instructions

- Tighten the screws at the end of the construction and check them regularly afterwards
- Do not use power screw drivers as they might cause splitting
- Only use special cleanser or impregnate oil to clean wooden products and water and soap for aluminium and steel products
- Use soft brushes when cleaning to avoid scratching the surface
- Protect your furniture/products with a cover when you are not using it

maximavida.com
Den Sliem 42
7141 JH Groenlo
+31 544-375445
info@maximavida.com

6



Care instructions

- Tighten the screws at the end of the construction and check them regularly afterwards
- Do not use power screw drivers as they might cause splitting
- Only use special cleanser or impregnate oil to clean wooden products and water and soap for aluminium and steel products
- Use soft brushes when cleaning to avoid scratching the surface
- Protect your furniture/products with a cover when you are not using it

maximavida.com
Den Sliem 42
7141 JH Groenlo
+31 544-375445
info@maximavida.com